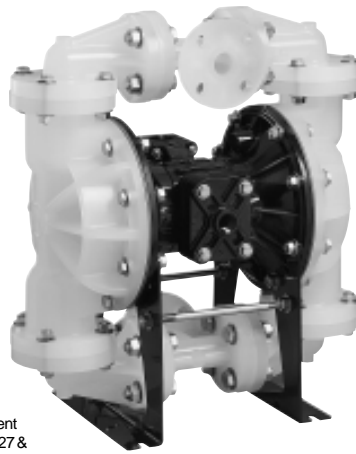


**WARREN  
RUPP®**

Quality System  
ISO9001 Certified

Environmental  
Management System  
ISO14001 Certified

**IDEX**  
IDEX CORPORATION



U.S. Patent  
#5,996,627 &  
6,241,487  
Other U.S. Patents  
Applied for

# MARATHON II®

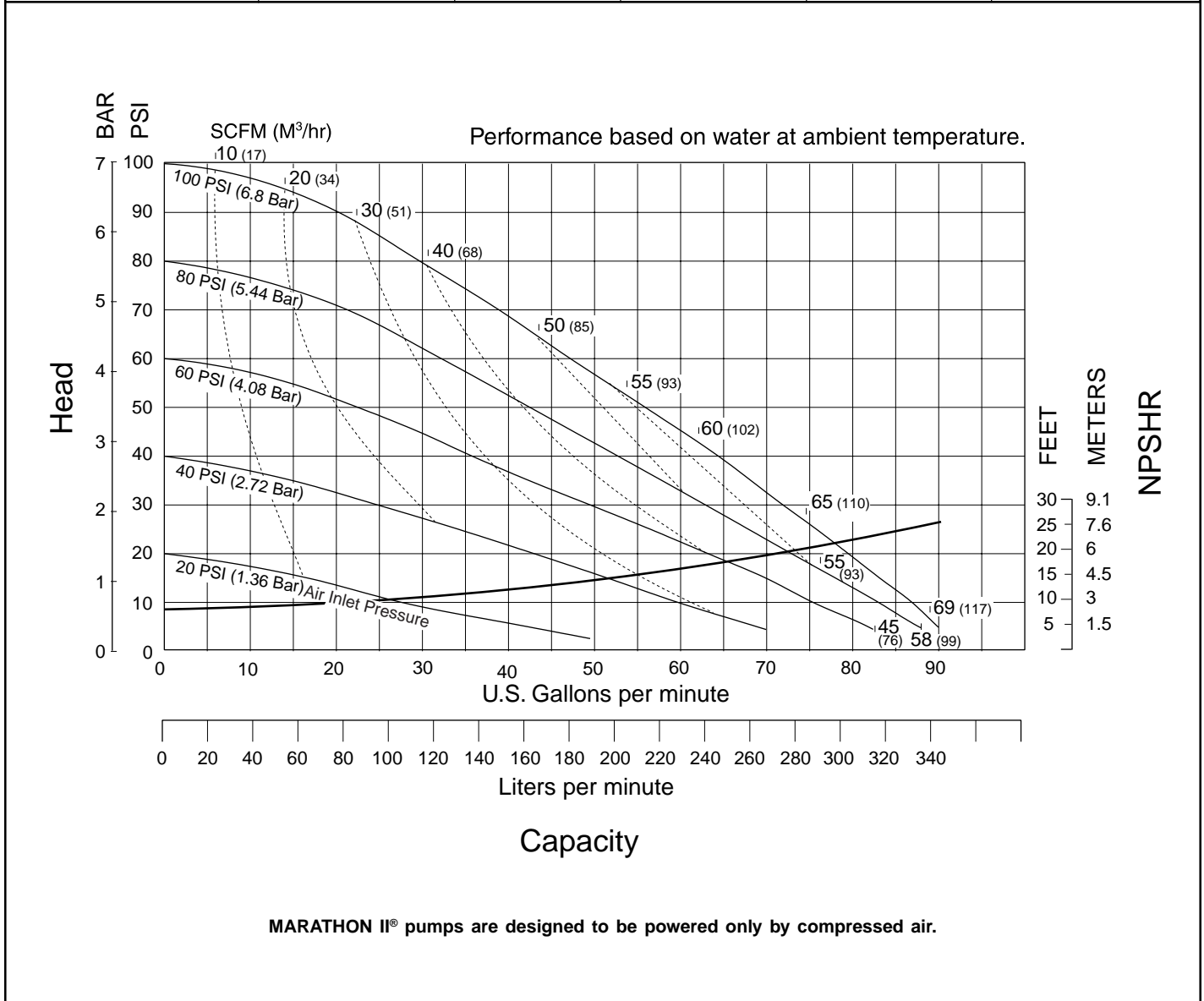
## M15 Non-Metallic Design Level 2 Ball Valve

**Air-Powered  
Double-Diaphragm Pump**

ENGINEERING, PERFORMANCE  
& CONSTRUCTION DATA



INTAKE/DISCHARGE PIPE SIZE	CAPACITY	AIR VALVE	SOLIDS-HANDLING	HEADS UP TO	DISPLACEMENT/STROKE
1½" ANSI Flange or PN10 40mm DIN Flange	0 to 90 gallons per minute (0 to 340 liters per minute)	No-lube, no-stall design	Up to .47 in. (12mm)	100 psi or 231 ft. of water (7 bar or 70 meters)	.36 Gallon / 1.36 liter



# Explanation of Pump Nomenclature

## M15 Non-Metallic - Design Level 2- Ball Valve

MODEL	Pump Brand	Pump Size	Check Valve Type	Design Level	Wetted Material	Diaphragm/Check Valve Materials	Check Valve Seat	Non-Wetted Material Options	Porting Options	Pump Style	Pump Options	Shipping Kit Options	Weight lbs. (kg)
M15B2P1PQAS000.	M	15	B	2	P	1	P	Q	A	S	0	00.	53 (24)
M15B2K1KQAS000.	M	15	B	2	K	1	K	Q	A	S	0	00.	65 (29)
M15B2P2PQAS000.	M	15	B	2	P	2	P	Q	A	S	0	00.	53 (24)
M15B2K2KQAS000.	M	15	B	2	K	2	K	Q	A	S	0	00.	65 (29)
M15B2P3PQAV000.	M	15	B	2	P	3	P	Q	A	V	0	00.	58 (26)
M15B2K3KQAV000.	M	15	B	2	K	3	K	Q	A	V	0	00.	77 (35)
M15B2P4PQAV000.	M	15	B	2	P	4	P	Q	A	V	0	00.	58 (26)
M15B2K4KQAV000.	M	15	B	2	K	4	K	Q	A	V	0	00.	77 (35)

**Pump Brand**  
M= Marathon II®

**Pump Size**  
15=1½"

**Check Valve Type**  
B= Ball

**Design Level**  
2= Design Level

**Wetted Material**  
K= PVDF  
P= Polypropylene

**Diaphragm Check Valve Materials**  
1= Santoprene/Santoprene  
2= PTFE-Santoprene Backup/PTFE  
3= PTFE Pumping, PTFE-Santoprene Backup Driver/PTFE  
4= Santoprene Pumping, Santoprene Driver/Santoprene

**Check Valve Seat**  
K= PVDF  
N= Nylon  
P= Polypropylene

**Non-Wetted Material Options**  
A= Painted Aluminum  
J= Painted Aluminum PTFE  
Q= Epoxy Coated Aluminum  
K= PTFE Coated Aluminum  
L= PTFE Coated Aluminum with PTFE Coated Hardware  
R= Epoxy Coated Aluminum with PTFE Coated Hardware

**Porting Options**  
A= ANSI Flange  
D= DIN Flange  
7= Dual Porting (ANSI)  
8= Top Dual Porting (ANSI)  
9= Bottom Dual Porting (ANSI)

**Pump Style**  
D= RuppGUARD™ with Electronic Leak Detection (110V)  
E= RuppGUARD™ with Electronic Leak Detection (220V)  
M= RuppGUARD™ with Mechanical Leak Detection  
S= Standard  
V= RuppGUARD™ with Visual Leak Detection

**Pump Options**  
0= None  
2= Mesh Muffler  
3= High temperature Air Valve w/Encapsulated Muffler  
4= High temperature Air Valve w/3M Muffler  
5= High temperature Air Valve w/Mesh Muffler

**Kit Options**  
00.=None  
P0.=0-30VDC Pulse Output Kit  
P1.=Intrinsically-Safe 10-30VDC Pulse Output Kit  
P2.=110/120 or 220/240VAC Pulse Output Kit  
P3.=Intrinsically-Safe 110/120VAC Pulse Output Kit  
P4.=Intrinsically-Safe 220/240VAC Pulse Output Kit  
SP.=Stroke Indicator Pins

 **CAUTION! Operating temperature limitations are as follows:**

Materials	Operating Temperatures		
	Maximum*	Minimum*	Optimum**
<b>Santoprene®</b> Injection molded thermoplastic elastomer with no fabric layer. Long mechanical flex life. Excellent abrasion resistance.	212°F 100°C	-10°F -23°C	50°F to 212°F 10°C to 100°C
<b>Virgin PTFE</b> Chemically inert, virtually impervious. Very few chemicals are known to react chemically with PTFE: molten alkali metals, turbulent liquid or gaseous fluorine and a few fluoro-chemicals such as chlorine trifluoride or oxygen difluoride which readily liberate free fluorine at elevated temperatures.	212°F 100°C	-35°F -37°C	50°F to 212°F 10°C to 100°C
<b>PVDF</b>	200°F -93°C	-10°F -13°C	
<b>Polypropylene</b>	150°F 65°C	-40°F 5°C	
<b>Polyurethane</b>	210°F 99°C	-40°F -40°C	-40°F to 210°F -40°C to 99°C

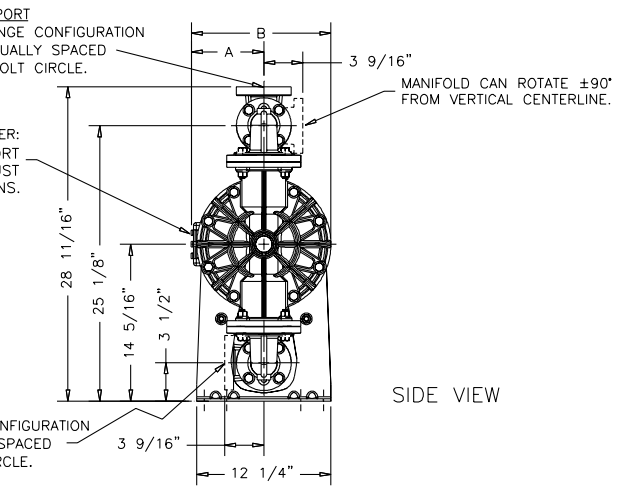
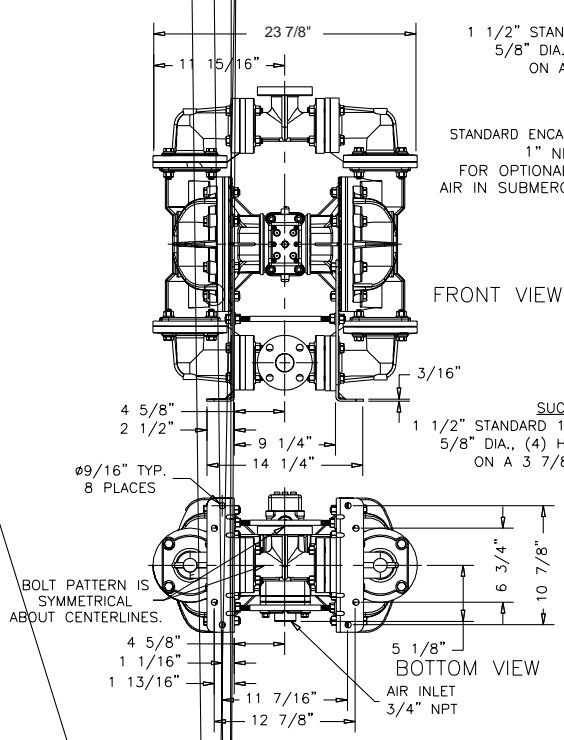
For specific applications, always consult "Chemical Resistance Chart" Technical Bulletin

\*Definite reduction in service life.

\*\*Minimal reduction in service life at ends of range.

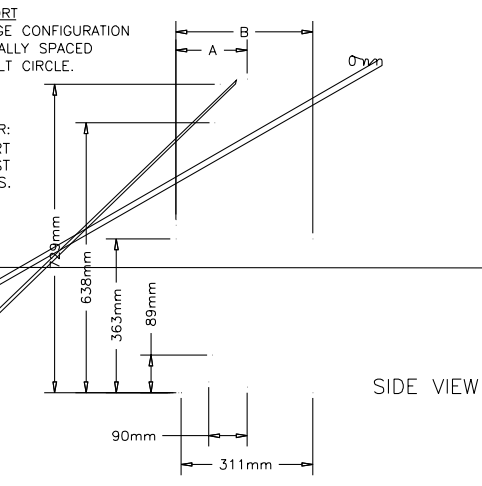
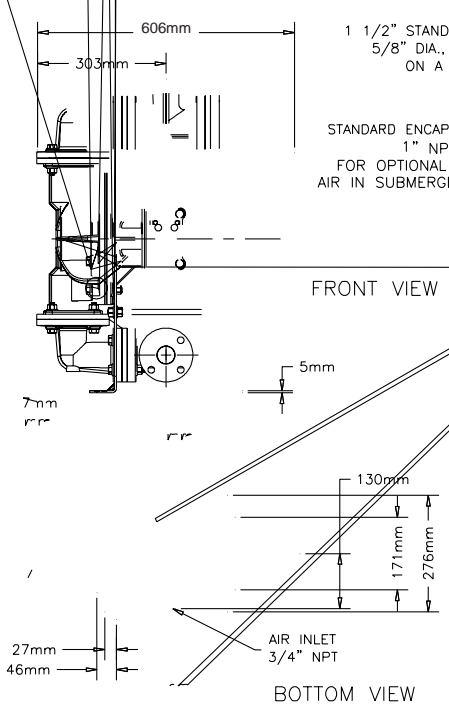
# Dimensions: M15 Non-Metallic

Dimensions in Inches  
Dimensional Tolerance:  $\pm 1/8$ "



DIMENSION	A	B
Standard Pump	6 9/16"	12 11/16"
Pulse Output Kit	7 15/16"	14 1/16"
Mesh Muffler	12 9/16"	18 11/16"

Dimensions in Millimeters  
Dimensional Tolerance:  $\pm 3$ mm



DIMENSION	A	B
Standard Pump	167mm	322mm
Pulse Output Kit	202mm	357mm
Mesh Muffler	225mm	380mm

# Dimensions: M15 Non-Metallic with RuppGUARD™ Spill Prevention

