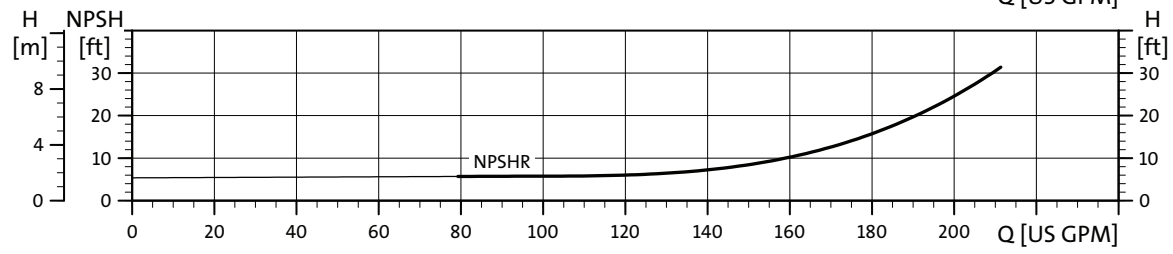
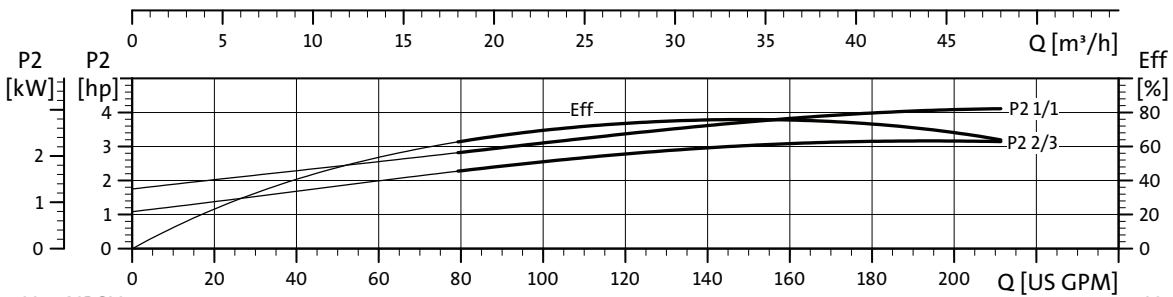
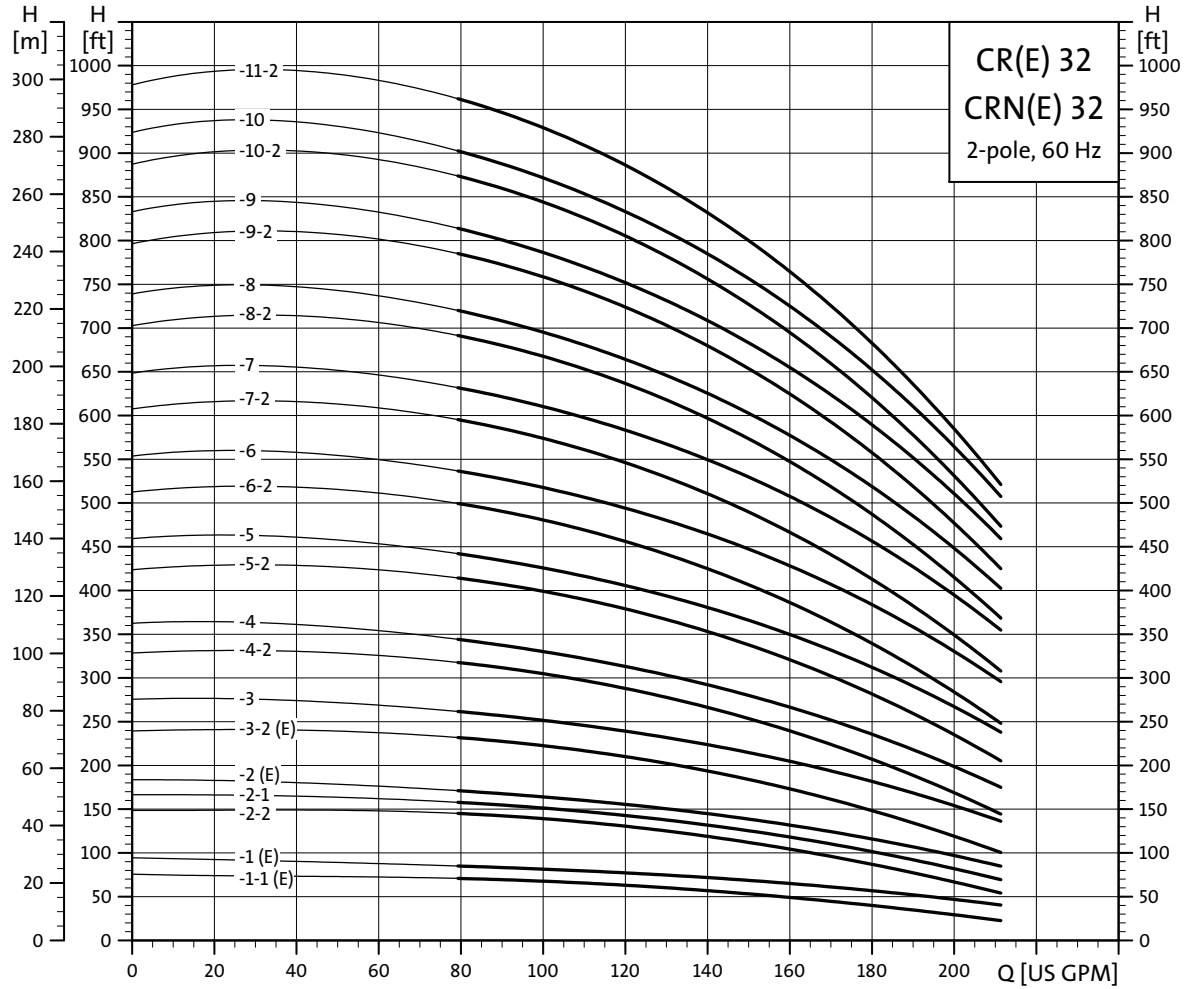
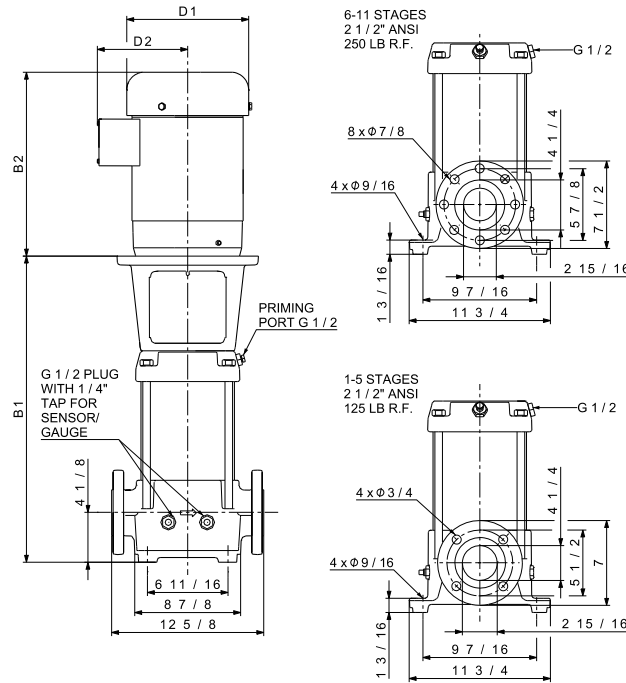


CR(E), CRN(E) 32



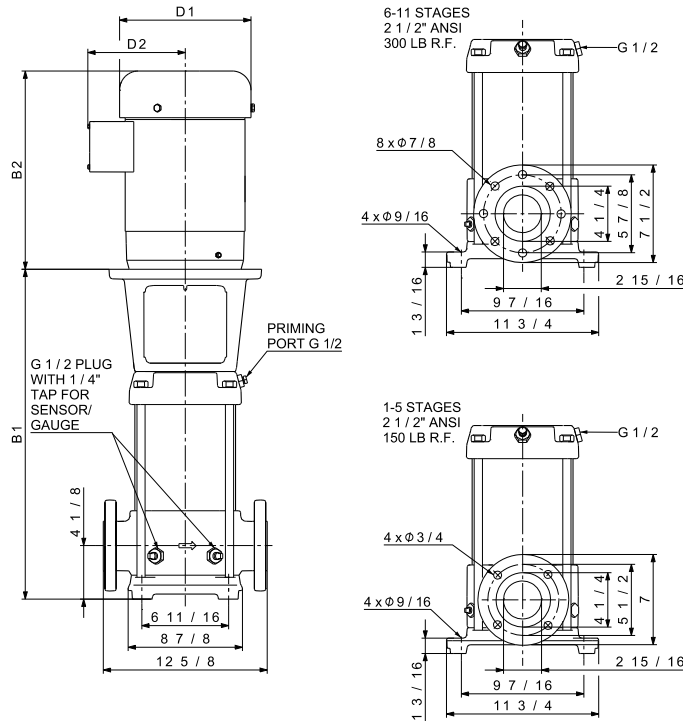
TM02 0039 1303



TM02 7699 1009

Pump type	P2 [hp]	Ph.	ANSI dimensions [inch]									Ship Wt. [lbs.]	ANSI dimensions [inch]			Ship Wt. [lbs.]
			B1	TEFC			ODP			MLE						
				D1	D2	B1+B2	D1	D2	B1+B2	D1	D2		B1+B2			
CR(E) 32-1-1	3	1	20	8 5/8	6 7/8	34 1/2	-	-	-	232	-	-	-	-		
		3	20	7 1/8	4 3/8	31 5/8	-	-	-	160	8 3/4	7 1/2	32 5/8	213		
CR(E) 32-1	5	1	20	10 5/8	7 1/2	35 3/8	-	-	-	256	-	-	-	-		
		3	20	7 1/8	4 3/8	33 1/8	-	-	-	169	8 3/4	7 1/2	34 5/8	236		
CR 32-2-2	7 1/2	1	22 3/4	10 1/4	7 1/2	38 1/8	-	-	-	277	-	-	-	-		
		3	22 3/4	8 3/4	5 3/8	38 1/4	-	-	-	229	-	-	-	-		
CR 32-2-1	7 1/2	1	22 3/4	10 1/4	7 1/2	38 1/8	-	-	-	277	-	-	-	-		
		3	22 3/4	8 3/4	5 3/8	38 1/4	-	-	-	229	-	-	-	-		
CR(E) 32-2	7 1/2	1	22 3/4	10 1/4	7 1/2	38 1/8	-	-	-	277	-	-	-	-		
		3	22 3/4	8 3/4	5 3/8	38 1/4	-	-	-	229	8 3/4	7 1/2	38 1/8	285		
CR(E) 32-3-2	10	1	25 1/2	10 1/4	10 3/8	41 1/4	-	-	-	334	-	-	-	-		
		3	25 1/2	8 3/4	5 3/8	41	-	-	-	236	8 3/4	7 1/2	40 7/8	314		
CR 32-3	15	3	29 3/4	10 1/4	8 3/4	46 3/8	10 5/8	7 3/8	45 3/4	318	-	-	-	-		
CR 32-4-2	15	3	32 1/2	10 1/4	8 3/4	49 1/8	10 5/8	7 3/8	48 1/2	325	-	-	-	-		
CR 32-4	15	3	32 1/2	10 1/4	8 3/4	49 1/8	10 5/8	7 3/8	48 1/2	325	-	-	-	-		
CR 32-5-2	20	3	35 1/4	10 5/8	8 3/4	51 5/8	10 5/8	9	54 3/4	346	-	-	-	-		
CR 32-5	20	3	35 1/4	10 5/8	8 3/4	51 5/8	11 5/8	9	54 3/4	346	-	-	-	-		
CR 32-6-2	25	3	38	13	11 1/2	57 5/8	11 5/8	9	58 1/4	434	-	-	-	-		
CR 32-6	25	3	38	13	11 1/2	57 5/8	11 1/2	9	58 1/4	434	-	-	-	-		
CR 32-7-2	25	3	40 3/4	13	11 1/2	60 3/8	11 1/2	9	61	441	-	-	-	-		
CR 32-7	30	3	40 3/4	15 5/8	13 1/8	63 3/4	11 1/2	12 1/4	62 1/4	602	-	-	-	-		
CR 32-8-2	30	3	43 1/2	15 5/8	13 1/8	66 1/2	11 1/2	12 1/4	65	615	-	-	-	-		
CR 32-8	30	3	43 1/2	15 5/8	13 1/8	66 1/2	11 1/2	12 1/4	65	615	-	-	-	-		
CR 32-9-2	40	3	46 3/8	15 5/8	13 1/8	69 3/8	13 1/4	12 1/4	69 3/8	696	-	-	-	-		
CR 32-9	40	3	46 3/8	15 5/8	13 1/8	69 3/8	13 1/4	12 1/4	69 3/8	696	-	-	-	-		
CR 32-10-2	40	3	49 1/8	15 5/8	13 1/8	72 1/8	13 1/4	12 1/4	72 1/8	705	-	-	-	-		
CR 32-10	40	3	49 1/8	15 5/8	13 1/8	72 1/8	13 1/4	12 1/4	72 1/8	705	-	-	-	-		
CR 32-11-2	40	3	51 7/8	15 5/8	13 1/8	74 7/8	13 1/4	12 1/4	74 7/8	731	-	-	-	-		

¹⁾ Weights are based on pump with TEFC motor (see price list for individual weights). All dimensions in inches unless otherwise noted.



TM02 7703 1009

Pump type	P2 [hp]	Ph.	ANSI dimensions [inch]									Ship Wt. [lbs.]	ANSI dimensions [inch]			Ship Wt. [lbs.]
			B1	TEFC			ODP			MLE						
				D1	D2	B1+B2	D1	D2	B1+B2	D1	D2		B1+B2			
CRN(E) 32-1-1	3	1	20	8 5/8	6 7/8	34 1/2	-	-	-	232	-	-	-	-		
		3	20	7 1/8	4 3/8	31 5/8	-	-	-	160	8 3/4	7 1/2	32 5/8	213		
CRN(E) 32-1	5	1	20	10 5/8	7 1/2	35 3/8	-	-	-	256	-	-	-	-		
		3	20	7 1/8	4 3/8	33 1/8	-	-	-	169	8 3/4	7 1/2	34 5/8	236		
CRN 32-2-2	7 1/2	1	22 3/4	10 1/4	7 1/2	38 1/8	-	-	-	277	-	-	-	-		
		3	22 3/4	8 3/4	5 3/8	38 1/4	-	-	-	229	-	-	-	-		
CRN 32-2-1	7 1/2	1	22 3/4	10 1/4	7 1/2	38 1/8	-	-	-	277	-	-	-	-		
		3	22 3/4	8 3/4	5 3/8	38 1/4	-	-	-	229	-	-	-	-		
CRN(E) 32-2	7 1/2	1	22 3/4	10 1/4	7 1/2	38 1/8	-	-	-	277	-	-	-	-		
		3	22 3/4	8 3/4	5 3/8	38 1/4	-	-	-	229	8 3/4	7 1/2	38 1/8	285		
CRN(E) 32-3-2	10	1	25 1/2	10 1/4	10 3/8	41 1/4	-	-	-	334	-	-	-	-		
		3	25 1/2	8 3/4	5 3/8	41	-	-	-	236	8 3/4	7 1/2	40 7/8	314		
CRN 32-3	15	3	29 3/4	10 1/4	8 3/4	46 3/8	10 5/8	7 3/8	45 3/4	318	-	-	-	-		
CRN 32-4-2	15	3	32 1/2	10 1/4	8 3/4	49 1/8	10 5/8	7 3/8	48 1/2	325	-	-	-	-		
CRN 32-4	15	3	32 1/2	10 1/4	8 3/4	49 1/8	10 5/8	7 3/8	48 1/2	325	-	-	-	-		
CRN 32-5-2	20	3	35 1/4	10 5/8	8 3/4	51 5/8	10 5/8	9	54 3/4	346	-	-	-	-		
CRN 32-5	20	3	35 1/4	10 5/8	8 3/4	51 5/8	11 5/8	9	54 3/4	346	-	-	-	-		
CRN 32-6-2	25	3	38	13	11 1/2	57 5/8	11 5/8	9	58 1/4	434	-	-	-	-		
CRN 32-6	25	3	38	13	11 1/2	57 5/8	11 1/2	9	58 1/4	434	-	-	-	-		
CRN 32-7-2	25	3	40 3/4	13	11 1/2	60 3/8	11 1/2	9	61	441	-	-	-	-		
CRN 32-7	30	3	40 3/4	15 5/8	13 1/8	63 3/4	11 1/2	12 1/4	62 1/4	602	-	-	-	-		
CRN 32-8-2	30	3	43 1/2	15 5/8	13 1/8	66 1/2	11 1/2	12 1/4	65	615	-	-	-	-		
CRN 32-8	30	3	43 1/2	15 5/8	13 1/8	66 1/2	11 1/4	12 1/4	65	615	-	-	-	-		
CRN 32-9-2	40	3	46 3/8	15 5/8	13 1/8	69 3/8	13 1/4	12 1/4	69 3/8	696	-	-	-	-		
CRN 32-9	40	3	46 3/8	15 5/8	13 1/8	69 3/8	13 1/4	12 1/4	69 3/8	696	-	-	-	-		
CRN 32-10-2	40	3	49 1/8	15 5/8	13 1/8	72 1/8	13 1/4	12 1/4	72 1/8	705	-	-	-	-		
CRN 32-10	40	3	49 1/8	15 5/8	13 1/8	72 1/8	13 1/4	12 1/4	72 1/8	705	-	-	-	-		
CRN 32-11-2	40	3	51 7/8	15 5/8	13 1/8	74 7/8	13 1/4	12 1/4	74 7/8	731	-	-	-	-		

¹⁾ Weights are based on pump with TEFC motor (see price list for individual weights)
All dimensions in inches unless otherwise noted.