

# SALES & ENGINEERING DATA

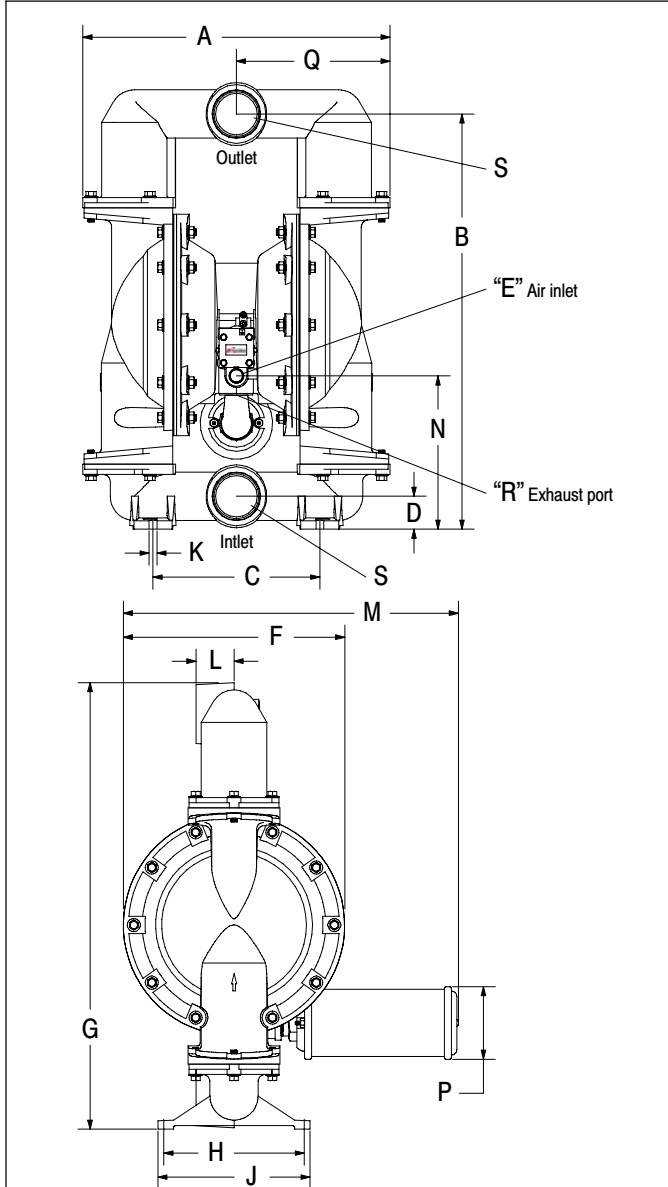
RATIO SERIES: **1:1**

FLUID P.S.I. RANGE: **20 - 120**

## 666300-XXX-C and 666320-XXX-C 3" METALLIC DIAPHRAGM PUMP

RELEASED: 3-21-06  
REVISED:  
(REV. 01) S-1363

### DIMENSIONAL DATA



#### DIMENSIONS

|                         |                       |                             |
|-------------------------|-----------------------|-----------------------------|
| A 22-7/32" (563.9 mm)   | G 32-9/32" (819.8 mm) | N 11-3/32" (281.4 mm)       |
| B 30" (762.0 mm)        | H 10-5/32" (258.0 mm) | P 5-1/4" (133.4 mm)         |
| C 12-1/16" (306.4 mm)   | J 11" (279.4 mm)      | Q 11-1/8" (281.9 mm)        |
| D 2-3/8" (60.3 mm)      | K 9/16" (14.3 mm)     | R 1-1/4 - 11-1/2 N.P.T.F.-1 |
| E 3/4 - 14 N.P.T.F. - 1 | L 2-3/4" (69.9 mm)    | S (see below)               |
| F 16" (406.4 mm)        | M 24-7/16" (620.7 mm) |                             |

"S" Inlet / Outlet  
666300-XXX-C 3 - 8 N.P.T.F. - 1  
666320-XXX-C Rp 3 (3 - 11 BSP parallel)

NOTE: Dimensions are shown in inches and (mm), supplied for reference only and are typically rounded up to the nearest 1/16 inch.

### SPECIFICATIONS

#### CONSTRUCTION

|                                  |  |
|----------------------------------|--|
| Model Series                     | 666300-X-C / 666320-X-C                  |
| Pump Type                        | Metallic, Air Operated, Double Diaphragm |
| Ratio                            | 1:1                                      |
| Material Inlet / Outlet (female) |  |
| 666300-XXX-C                     | 3 - 8 N.P.T.F. - 1                       |
| 666320-XXX-C                     | Rp 3 (3 - 11 BSP parallel)               |
| Air Inlet (female)               | 3/4 - 14 N.P.T.F. - 1                    |
| Air Exhaust (female)             | 1-1/4 - 11-1/2 N.P.T.F. - 1              |
| Weight                           | 109.84 lbs (49.82 kgs)                   |
| Air Section Service Kit          | 637434                                   |
| Fluid Section Service Kit        | 637433-XX                                |

6663X0-X [X] [X] -C

637433 - [X] [X]

Diaphragm Material  
Ball Material

EXAMPLE: Model # 666300-EEB-C  
Fluid Section Service Kit is 637433-EB

#### PERFORMANCE

|   |                                 |
|---|---------------------------------|
| Air Inlet Pressure Range                                      | 20 - 120 p.s.i. (1.4 - 8.3 bar) |
| Maximum Material Inlet Pressure                               | 10 p.s.i. (0.69 bar)            |
| Fluid Pressure Range  | 20 - 120 p.s.i. (1.4 - 8.3 bar) |
| Maximum Flow Rate   | 237 g.p.m. (897.0 l.p.m.)       |
| Displacement / Cycle @ 100 p.s.i.                             | 2.65 gal. (10.03 lit.)          |
| Maximum Particle Size   | 3/8" dia. (9.5 mm)              |
| Maximum Temperature Limits (diaphragm / ball / seal material) |                                 |
| E.P.R. / EPDM   | -60° to 280° F (-51° to 138° C) |
| Hytre®  | -20° to 150° F (-29° to 66° C)  |
| Nitrile   | 10° to 180° F (-12° to 82° C)   |
| Santoprene®   | -40° to 225° F (-40° to 107° C) |
| T.F.E. (Teflon®)  | 40° to 225° F (4° to 107° C)    |
| Viton®  | -40° to 350° F (-40° to 177° C) |
| Noise Level @ 70 p.s.i. - 60 c.p.m.①                          | 86.3 db(A)②                     |

① Tested with 94810 muffler assembly installed.

② The pump sound pressure level has been updated to an Equivalent Continuous Sound Level (L<sub>Aeq</sub>) to meet the intent of ANSI S1. 13-1971, CAGI-PNEUROPS S5.1 using four microphone locations.

#### ACCESSORIES:

66312 Air Line Connection Kit

# PERFORMANCE CURVES

## 666300-XXX-C / 666320-XXX-C 3" METALLIC DIAPHRAGM PUMP

