

6 SERIES - 1/3 HP

APPLICATIONS

Basement sumps, dewatering, water transfer

FEATURES

- Shaded pole motor with thermal overload protection
- Designed for continuous duty
- Oil-filled motor housing
- PVC riser legs (506162 only)
- 1-1/2" FNPT discharge (38 mm)
- 1-1/4" FNPT (31.7 mm) reducer bushing included
- 3/4" GHT garden hose adapter included
- cCSAus listed (115 V models only)



SERIES SPECIFICATIONS

Volts	Hz	Amps		Watts	Performance (GPM @ Height in Feet)			Shut-Off (ft)	PSI
		FLA	Start		5'	10'	15'		
115	50/60	9.0	14.3	720	46	29	12.5	18	7.8
230	50/60	4.5	6.3	720	46	29	12.5	18	7.8

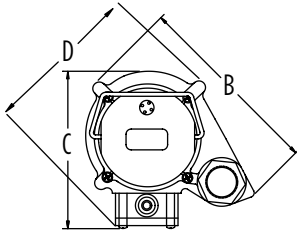
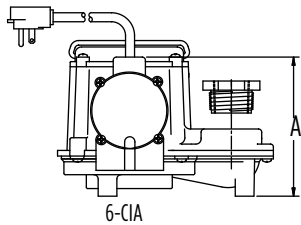
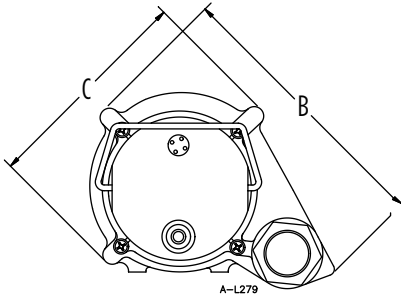
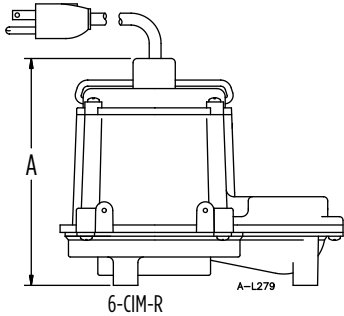
Item No.	Model	HP	Volts	Switch Type/ Operation	On Level	Off Level	Cord	Weight
506158	6-CIA	1/3	115	Integral Diaphragm	7" - 10" 17.8 cm - 25.4 cm	1" - 4" 2.5 cm - 10.2 cm	10' 3 m	18 lbs 8.16 Kg
*506162	6-CIA	1/3	115	Integral Diaphragm	7" - 10" 17.8 cm - 25.4 cm	1" - 4" 2.5 cm - 10.2 cm	10' 3 m	18.5 lbs 8.39 Kg
506125	6-CIA	1/3	115	Integral Diaphragm	7" - 10" 17.8 cm - 25.4 cm	1" - 4" 2.5 cm - 10.2 cm	25' 7.6 m	18.5 lbs 8.39 Kg
506166	6-CIA	1/3	230	Integral Diaphragm	7" - 10" 17.8 cm - 25.4 cm	1" - 4" 2.5 cm - 10.2 cm	10' 3 m	18.5 lbs 8.39 Kg
506171	6-CIA-RFS	1/3	115	Piggyback Mechanical Float	7" - 10" 17.8 cm - 25.4 cm	1" - 4" 2.5 cm - 10.2 cm	10' 3 m	17.75 lbs 8.05 Kg
506267	6-CIA-RS	1/3	115	Integral Diaphragm	7" - 10" 17.8 cm - 25.4 cm	1" - 4" 2.5 cm - 10.2 cm	10' 3 m	17.5 lbs 7.94 Kg
506266	6-CIM	1/3	230	Manual	-	-	12' 3.6 m	18.75 lbs 8.50 Kg
506271	6-CIM-R	1/3	115	Manual	-	-	10' 3 m	16.5 lbs 7.48 Kg
506274	6-CIM-R	1/3	115	Manual	-	-	25' 7.6 m	18 lbs 8.16 Kg

* Leg kit included

SUMP PUMPS

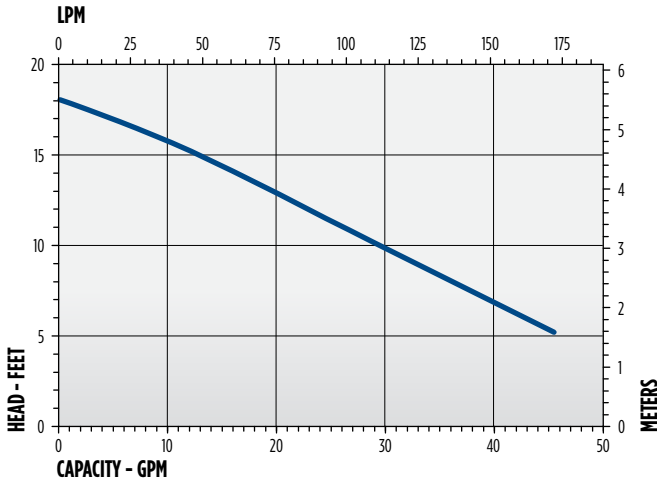
6 SERIES - 1/3 HP

ENGINEERING DATA



Model	A	B	C	D
6-CIM-R, 6-CIA-RFS, 6-CIA-RF	7.25" 18.42 cm	9.5" 24.13 cm	7.2" 18.29 cm	-
6-CIA	6" 15.24 cm	9.5" 24.13 cm	8.5" 21.59 cm	8.2" 20.83 cm

PERFORMANCE DATA



CONSTRUCTION

Motor Housing	Epoxy-coated cast iron
Impeller Material	Nylon
Impeller Type	Non-clog
Volute	Polypropylene
Motor Shaft	CRS
Shaft Seal	Mechanical shaft seal nitrile with carbon and ceramic faces
Fasteners	Stainless steel
Bearings	Upper: Sintered iron/copper, flanged sleeve Lower: Sintered iron/copper, flanged steel
Power Cord	18-3, SJTW