

Sectional drawing

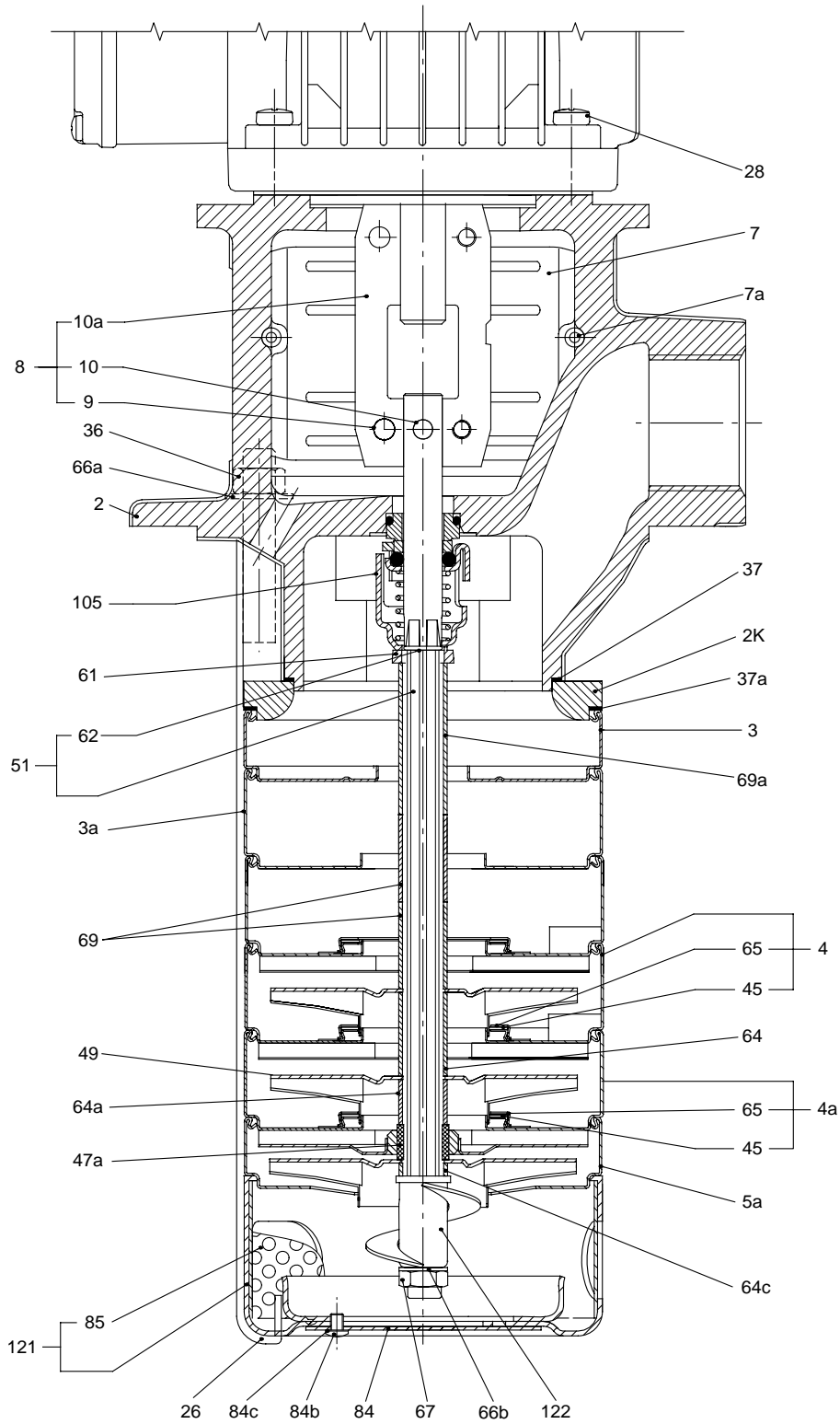


Fig. 12 CRK 2, CRK 4

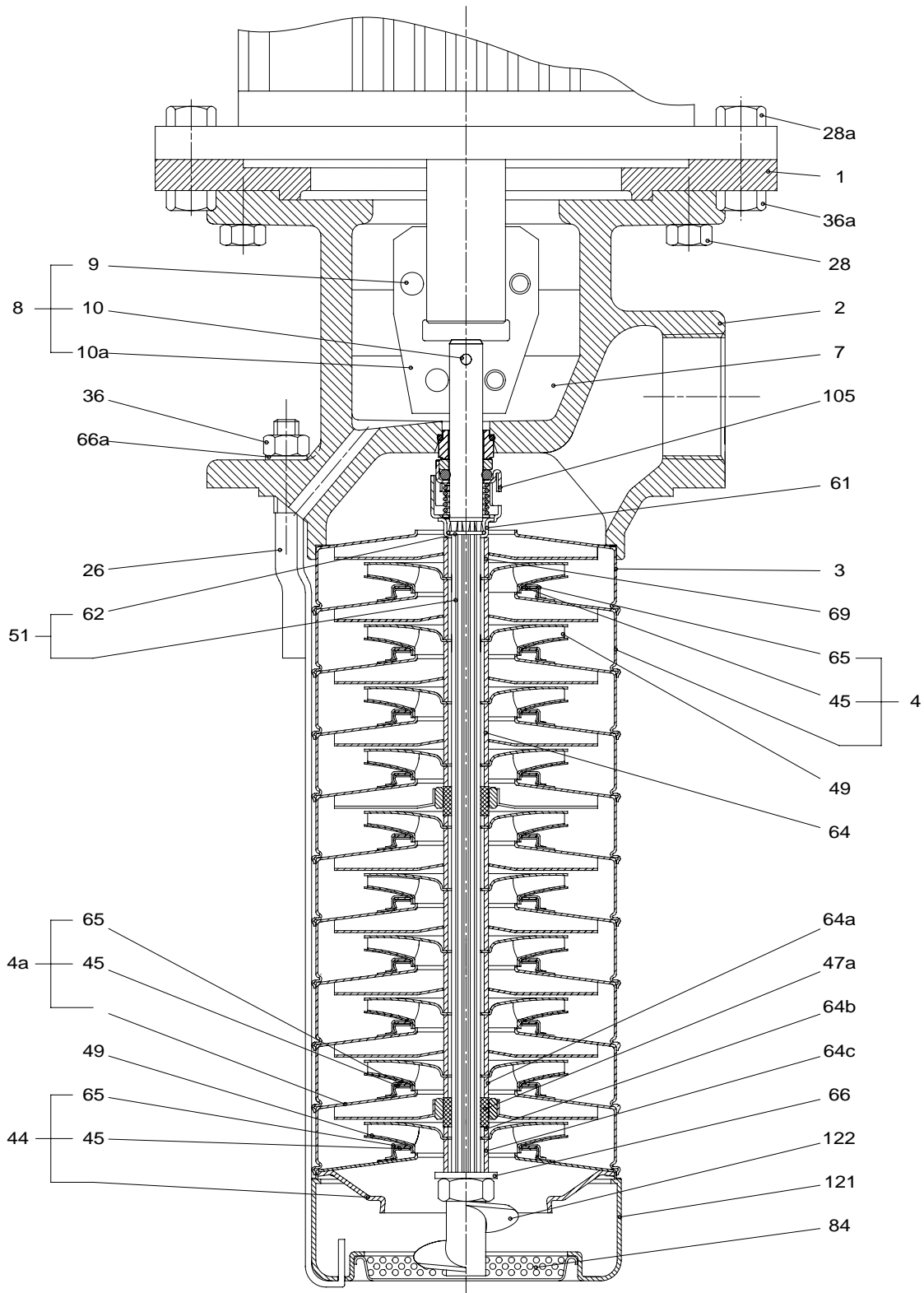


Fig. 13 CRK 8, CRK 16