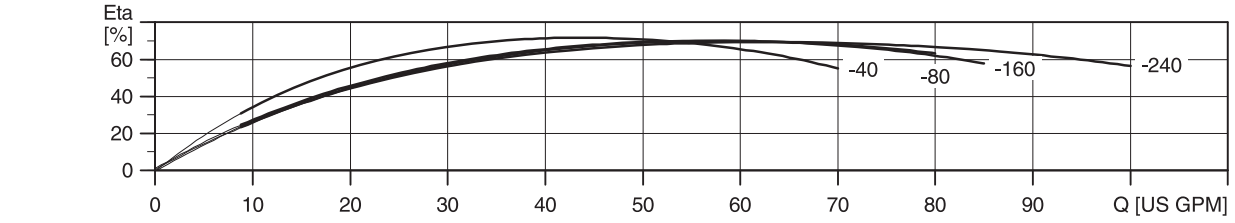
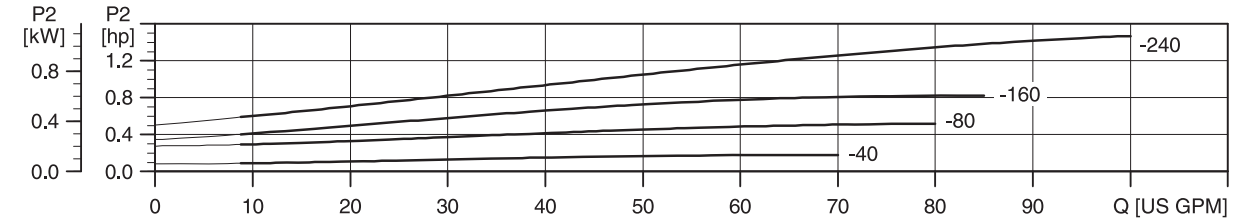
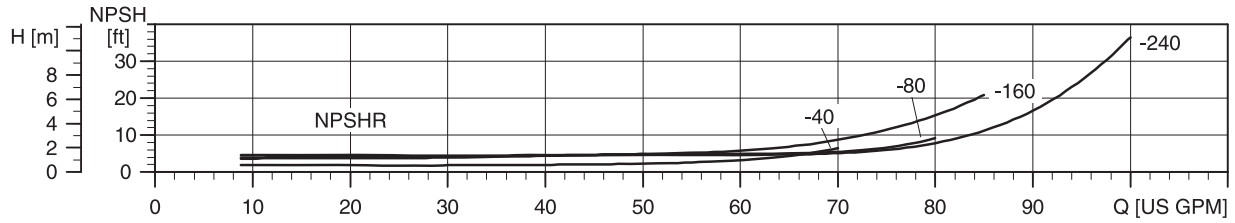
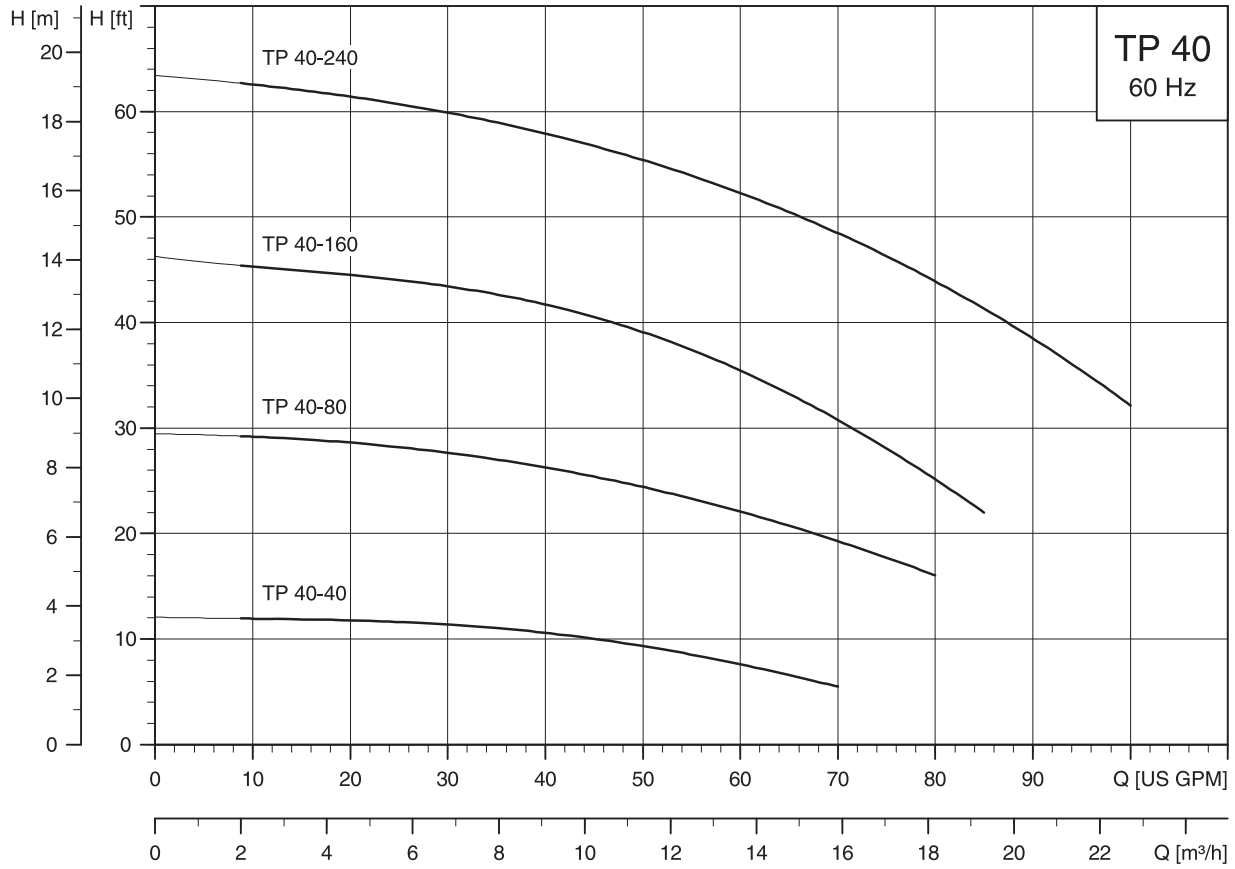
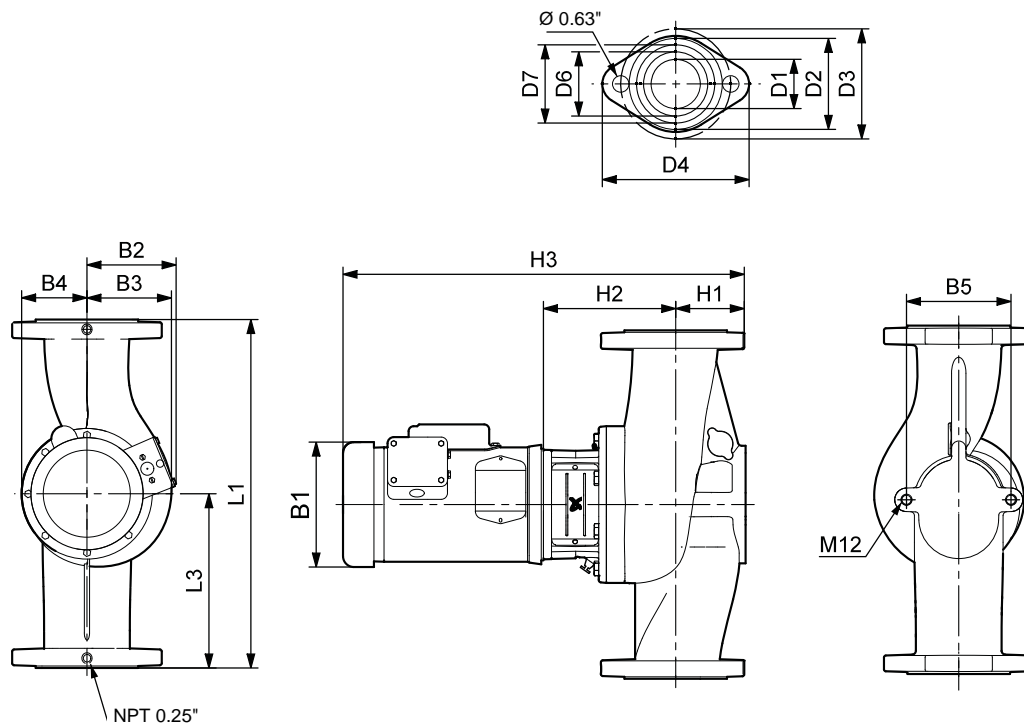


TP 40-XX





TM03 7757 4806

Dimensions and weights TP 40-XX

Pump type	Hp	Ph	Dimensions [inches (mm)]															Net weight [lbs]	
			L1	L3	B1	B2	B3	B4	B5	H1	H2	H3	D1	D2	D3	D4	D6		D7
TP 40-40/4	0.33	1	13.5 (343)	6.75 (171)	6.19 (157)	5.19 (132)	3.38 (86)	3 (76)	4.72 (120)	2.68 (68)	6.08 (154)	18.05 (458)	1.69 (43)	2.88 (73)	3.43 (87)	5 (127)	2.05 (52)	2.54 (65)	54
	0.33	3	13.5 (343)	6.75 (171)	6.19 (157)	5.19 (132)	3.38 (86)	3 (76)	4.72 (120)	2.68 (68)	6.08 (154)	18.05 (458)	1.69 (43)	2.88 (73)	3.43 (87)	5 (127)	2.05 (52)	2.54 (65)	53
TP 40-80/2	0.75	1	13.5 (343)	6.75 (171)	6.19 (157)	5.19 (132)	3 (76)	3 (76)	3.15 (80)	2.68 (68)	6.04 (153)	18.01 (457)	1.69 (43)	2.88 (73)	3.43 (87)	5 (127)	2.05 (52)	2.54 (65)	55
	0.75	3	13.5 (343)	6.75 (171)	5.55 (141)	4.57 (116)	3 (76)	3 (76)	3.15 (80)	2.68 (68)	6.04 (153)	16.16 (410)	1.69 (43)	2.88 (73)	3.43 (87)	5 (127)	2.05 (52)	2.54 (65)	54
TP 40-160/2	0.75	1	11.5 (292)	5.75 (146)	6.19 (157)	5.19 (132)	4 (102)	4 (102)	3.15 (80)	2.68 (68)	5.79 (147)	17.75 (451)	1.69 (43)	2.88 (73)	3.43 (87)	5 (127)	2.05 (52)	2.54 (65)	54
	0.75	3	11.5 (292)	5.75 (146)	5.55 (141)	4.57 (116)	4 (102)	4 (102)	3.15 (80)	2.68 (68)	5.79 (147)	15.90 (404)	1.69 (43)	2.88 (73)	3.43 (87)	5 (127)	2.05 (52)	2.54 (65)	53
TP 40-240/2	1.5	1	13.5 (343)	6.75 (171)	7.19 (183)	5.74 (146)	4 (102)	4 (102)	3.15 (80)	2.68 (68)	6.17 (157)	20.52 (521)	1.69 (43)	2.88 (73)	3.43 (87)	5 (127)	2.05 (52)	2.54 (65)	58
	1.5	3	13.5 (343)	6.75 (171)	5.55 (141)	4.57 (116)	4 (102)	4 (102)	3.15 (80)	2.68 (68)	6.17 (157)	17.46 (443)	1.69 (43)	2.88 (73)	3.43 (87)	5 (127)	2.05 (52)	2.54 (65)	57

Note: For information about motor data, see page 25.

Technical data

Flow range:	8-100 U.S. gpm
Head range:	5-63 ft
Maximum working pressure:	145 psi (10 bar)
Temperature range:	5 °F (-15 °C) to 284 °F (140 °C)
Max ambient air temperature:	104 °F (40 °C)
Motors:	TEFC-Standard, ODP-Optional
Flanges:	1 1/2" 2 bolt with (2) .63" dia. holes