

WRS SERIES - 1/6 HP, 1/3 HP, 4/10 HP DRAINOSAUR® & DRAINOSAUR JR.®

APPLICATIONS

Impractical drainage areas, under sinks, laundry trays

FEATURES

BASIN FEATURES

- 3.5 and 5 gallon size options
- Polypropylene, lightweight, corrosion-resistant
- Designed with O-rings for watertight seal
- Cover includes removable filter for easy cleaning
- Cover includes 1-1/2" FNPT (38 mm) discharge and intake opening, and 2" FNPT (5 cm) vent opening
- IAPMO listed
- Pre-assembled, ready to install

PUMP FEATURES

- 1/6, 1/3, and 4/10 hp options
- Multiple switch options
- cCSAus listed (pump only)



SERIES SPECIFICATIONS

HP	Volts	Hz	Amps		Watts	Performance (GPM @ Height in Feet)				Shut-Off (ft)	PSI
			FLA	Start		5'	10'	15'	20'		
1/6	115	60	5	6.4	380	15	12	8	-	21.00	9.1
1/3	115	60	9	14.3	720	46	29	13	-	18.00	7.8
1/3	230	50/60	4.5	6.3	720	46	29	13	-	18.00	7.8
4/10	115	60	9	17	920	72	63	54	40	29.00	9.1

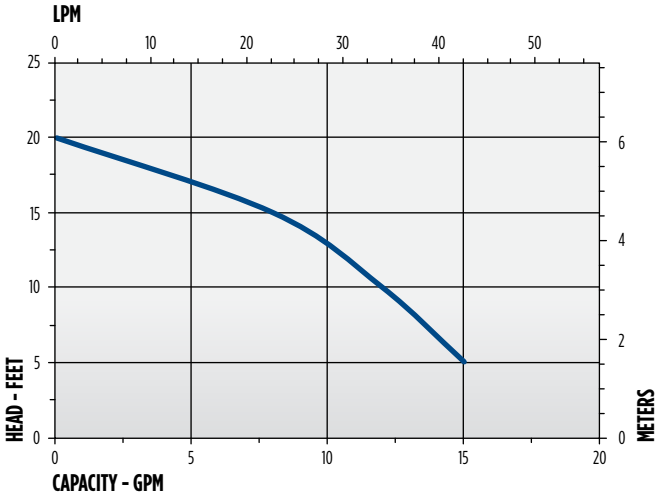
Item No.	Model	HP	Volts	Tank Size	Switch Type/Operation	On Level	Off Level	Cord	Weight
505055	WRS-5	1/6	115	5 Gallon	Piggyback Diaphragm	6" - 9" 15.2 cm - 23 cm	1" - 4" 2.5 cm - 10 cm	10' 3 m	19 lbs 8.62 Kg
506065	WRSC-6	1/3	115	3.5 Gallon	Integral Diaphragm	4" - 7" 10.2 cm - 17.8 cm	1" - 3" 2.5 cm - 7.6 cm	10' 3 m	24 lbs 10.89 Kg
506066	WRSC-6	1/3	230	3.5 Gallon	Integral Diaphragm	4" - 7" 10.2 cm - 17.8 cm	1" - 3" 2.5 cm - 7.6 cm	10' 3 m	17.75 lbs 8.05 Kg
506055	WRS-6	1/3	115	5 Gallon	Integral Diaphragm	7" - 10" 17.8 cm - 25.4 cm	1" - 4" 2.5 cm - 10.2 cm	10' 3 m	26 lbs 11.79 Kg
506056	WRS-6	1/3	230	5 Gallon	Integral Diaphragm	7" - 10" 17.8 cm - 25.4 cm	1" - 4" 2.5 cm - 10.2 cm	10' 3 m	27 lbs 12.25 Kg
509268	WRS-9EN	4/10	115	5 Gallon	Piggyback Vertical Mechanical	7" - 10" 17.8 cm - 25.4 cm	2" - 5" 5 cm - 12.7 cm	10' 3 m	35 lbs 15.88 Kg

SUMP PUMPS

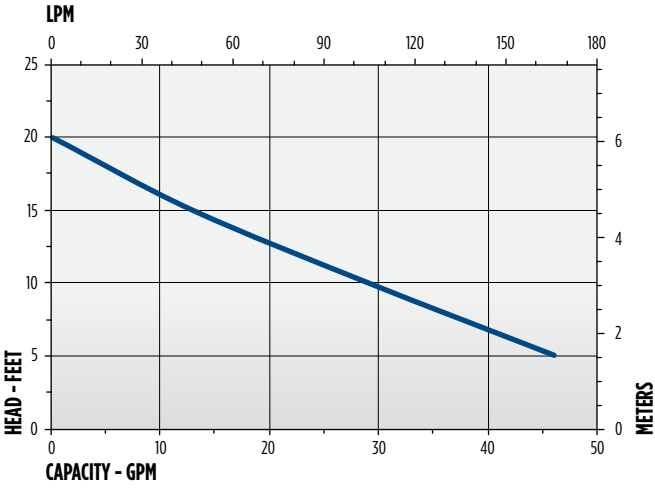
WRS SERIES - 1/6 HP, 1/3 HP, 4/10 HP

PERFORMANCE DATA

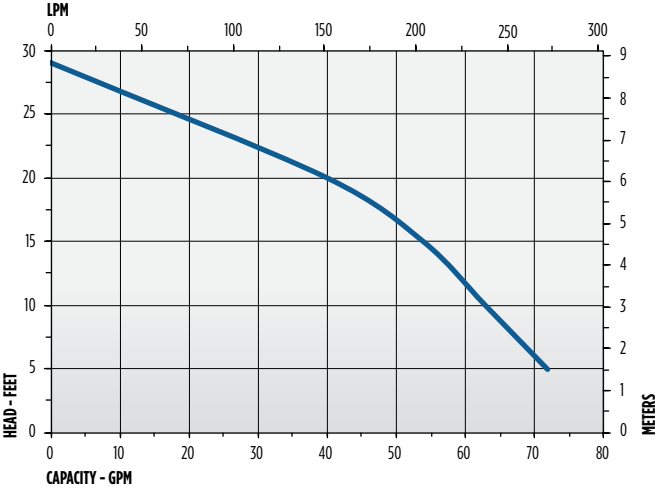
WRS-5



WRS-6 & WRSC-6

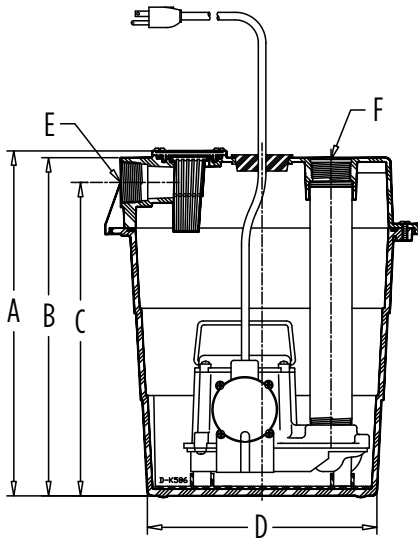


WRS-9EN

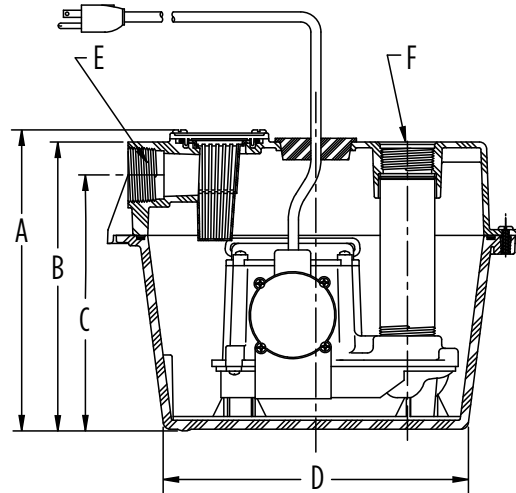


WRS SERIES - 1/6 HP, 1/3 HP, 4/10 HP

ENGINEERING DATA



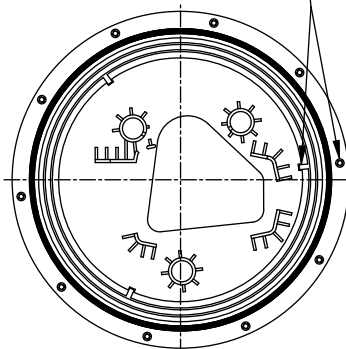
WRS



WRSC

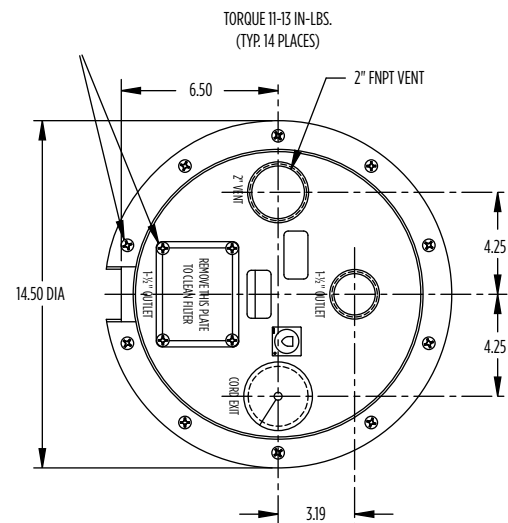
Model	A	B	C	D	E	F
WRS-5	16.17" 41.07 cm	15.68" 39.83 cm	14.75" 37.47 cm	10.63" 27 cm	1-1/2" FNPT 3.81 cm	1-1/2" FNPT 3.81 cm
WRS-6	16.17" 41.07 cm	15.68" 39.83 cm	14.75" 37.47 cm	10.63" 27 cm	1-1/2" FNPT 3.81 cm	1-1/2" FNPT 3.81 cm
WRS-9EN	16.17" 41.07 cm	15.68" 39.83 cm	14.75" 37.47 cm	10.63" 27 cm	1-1/2" FNPT 3.81 cm	1-1/2" FNPT 3.81 cm
WRSC-6	10.55" 26.8 cm	10.06" 25.55 cm	8.9" 22.61 cm	10.63" 27 cm	1-1/2" FNPT 3.81 cm	1-1/2" FNPT 3.81 cm

PLATE ALIGNMENT DIAGRAM



MOUNTING HOLE LINES UP WITH A LOCATING RIB ON THE INSIDE OF THE BASIN.

POSITION THE PUMP LOCATING PLATE INSIDE THE BASIN AS SHOWN. THIS WILL ALLOW PROPER ALIGNMENT OF MOUNTING HOLES WHEN INSTALLING THE BASIN COVER. ANY OTHER POSITION WILL NOT ALLOW ASSEMBLY OF COVER.



SUMP PUMPS

WRS SERIES - 1/6 HP, 1/3 HP, 4/10 HP

TYPICAL INSTALLATION

