

## WSV50 EFFLUENT SERIES - 1/2 HP

### APPLICATIONS

Effluent wastewater removal, dewatering, water transfer

### FEATURES

- Oil-free Permanent Split Capacitor (PSC) with double ball bearings
- High head model
- Solids handling vortex impeller
- Piggyback mechanical float option available for automatic operation
- 2" NPT (51 mm) discharge
- Handles solids up to 3/4" (19 mm) diameter
- 120 °F (49 °C) liquid temperature rating
- cCSAus listed



### SERIES SPECIFICATIONS

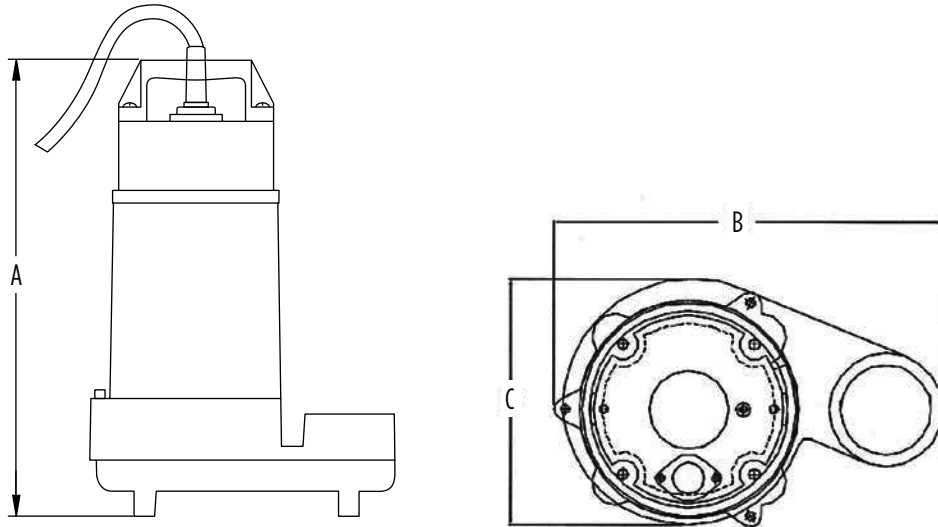
Volts	Hz	Amps		Watts	Performance (GPM @ Height in Feet)					Shut-Off (ft)	PSI
		FLA	Start		20'	25'	30'	35'	40'		
115	60	10.2	39	1100	83	74	62	48	30	45	19.5

Item No.	Model	HP	Volts	Switch Type/ Operation	On Level	Off Level	Cord	Weight
620238	WSV50HM	1/2	115	-	-	-	20' 6.1 m	42 lbs 19.1 Kg
620239	WSV50HAM	1/2	115	Piggyback Mechanical Float Switch	Adjustable	Adjustable	20' 6.1 m	42 lbs 19.1 Kg

# EFFLUENT PUMPS

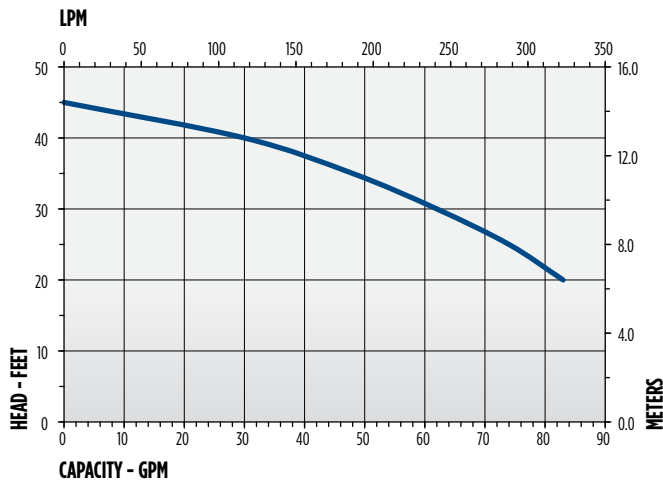
## WSV50 EFFLUENT SERIES - 1/2 HP

### ENGINEERING DATA



A	B	C
14.49" 36.8 cm	9.67" 24.56 cm	6.13" 15.57 cm

### PERFORMANCE DATA



### CONSTRUCTION

<b>Motor Housing</b>	Cast iron
<b>Impeller Material</b>	Cast iron
<b>Impeller Type</b>	Vortex
<b>Volute</b>	Cast iron
<b>Motor Shaft</b>	Stainless steel
<b>Shaft Seal</b>	Carbon/ceramic
<b>Fasteners</b>	Stainless steel
<b>Bearings</b>	Upper and lower ball bearings
<b>Power Cord</b>	SJOW