

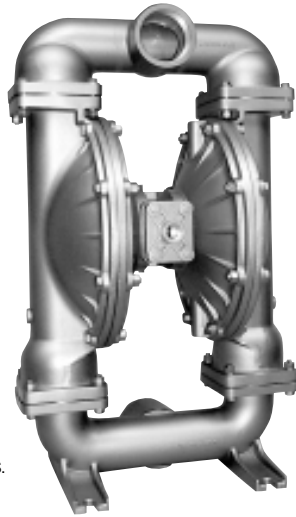
**WARREN
RUPP®**

Quality System
ISO9001 Certified

Environmental
Management System
ISO14001 Certified

IDEX
IDEX CORPORATION

U.S. Patent #5,996,627
& 6,241,487. Other U.S.
Patents Applied for



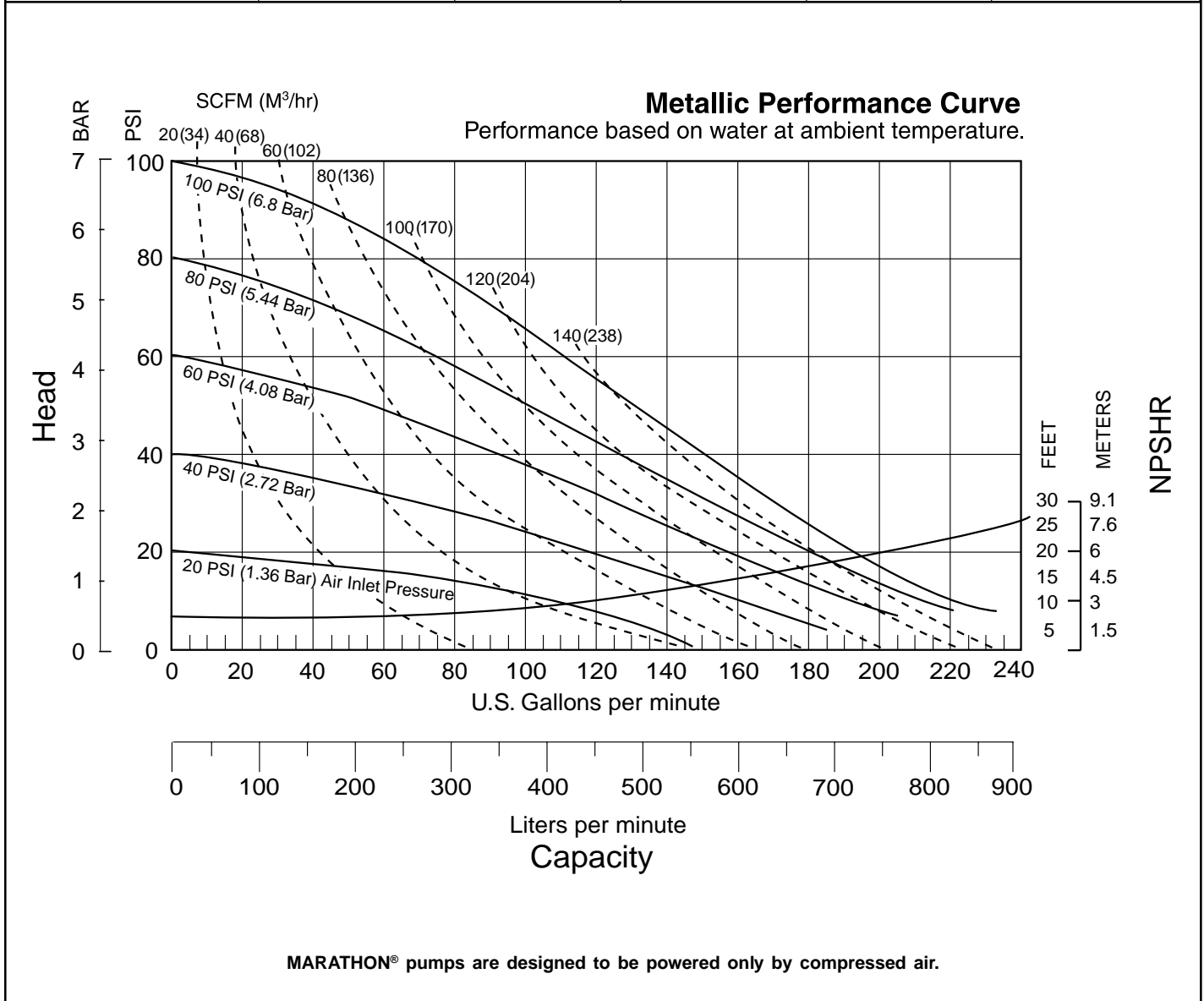
MARATHON
A WARREN RUPP PUMP BRAND

**M30 Metallic
Design Level 1
Ball Valve**

**Air-Powered
Double-Diaphragm Pump**

ENGINEERING, PERFORMANCE
& CONSTRUCTION DATA

INTAKE/DISCHARGE PIPE SIZE	CAPACITY	AIR VALVE	SOLIDS-HANDLING	HEADS UP TO	DISPLACEMENT/STROKE
3" NPT (internal) 3" BSPT Tapered (internal)	0 to 235 gallons per minute (0 to 889 liters per minute)	No-lube, no-stall design	Up to .25 in. (6mm)	125 psi or 289 ft. of water (8.6 Kg/cm ² or 86 meters)	.94 Gallon / 3.56 liter



Explanation of Pump Nomenclature

M30 Metallic - Design Level 1- Ball Valve

MODEL	Pump Brand	Pump Size	Check Valve Type	Design Level	Wetted Material	Diaphragm/ Check Valve Materials	Check Valve Seat	Non-Wetted Material Options	Porting Options	Pump Style	Pump Options	Shipping Kit Options	Weight lbs. (kg)
M30B1ABBANS000.	M	30	B	1	A	B	B	A	N	S	0	00.	116 (53)
M30B1AEEANS000.	M	30	B	1	A	E	E	A	N	S	0	00.	116 (53)
M30B1AGTANS000.	M	30	B	1	A	G	T	A	N	S	0	00.	116 (53)
M30B1ANNANS000.	M	30	B	1	A	N	N	A	N	S	0	00.	116 (53)
M30B1A1EANS000.	M	30	B	1	A	1	E	A	N	S	0	00.	116 (53)
M30B1AVTANS000.	M	30	B	1	A	V	T	A	N	S	0	00.	116 (53)
M30B1IBBANS000.	M	30	B	1	I	B	B	A	N	S	0	00.	215 (98)
M30B1IEEANS000.	M	30	B	1	I	E	E	A	N	S	0	00.	215 (98)
M30B1IGTANS000.	M	30	B	1	I	G	T	A	N	S	0	00.	215 (98)
M30B1INNANS000.	M	30	B	1	I	N	N	A	N	S	0	00.	215 (98)
M30B1I1EANS000.	M	30	B	1	I	1	E	A	N	S	0	00.	215 (98)
M30B1IVTANS000.	M	30	B	1	I	V	T	A	N	S	0	00.	215 (98)
M30B1IEEANS000.	M	30	B	1	I	E	E	A	N	S	0	00.	215 (98)
M30B1SBBANS000.	M	30	B	1	S	B	B	A	N	S	0	00.	194 (87)
M30B1SGTANS000.	M	30	B	1	S	G	T	A	N	S	0	00.	194 (87)
M30B1SNNANS000.	M	30	B	1	S	N	N	A	N	S	0	00.	194 (87)
M30B1S1EANS000.	M	30	B	1	S	1	E	A	N	S	0	00.	194 (87)
M30B1SVTANS000.	M	30	B	1	S	V	T	A	N	S	0	00.	194 (87)
M30B1HGTANS000.	M	30	B	1	H	G	T	A	N	S	0	00.	235 (107)

Pump Brand

M= MARATHON II®

Pump Size

30=3"

Check Valve Type

B= Ball

W= Weighted Ball

Design Level

1= Design Level

Wetted Material

A= Aluminum

I = Cast Iron

S= Stainless Steel

H= Alloy C

Diaphragm Check Valve Materials

1= Santoprene/Santoprene

B= Buna/Buna

C=Viton/PTFE

E= EPDM/EPDM

G=PTFE-Neoprene/PTFE

I= EPDM/ Santoprene

N=Neoprene/Neoprene

V=Viton/Viton

Check Valve Seat

A= Aluminum

B=Buna

C=Carbon Steel

E=EPDM

N=Neoprene

S=Stainless Steel

T= PTFE

V=Viton

Non-Wetted Material Options

A= Painted Aluminum

I= Cast Iron

J= Painted Aluminum

w/PTFE Coated Hardware

Y= Painted Aluminum

w/ Stainless Steel Hardware

Z= Cast Iron with Stainless Steel Hardware

Porting Options

N=NPT Threads

B= BSPT (Tapered) Threads

Pump Style

S= Standard

Pump Options

0= None

2= Mesh Muffler

3= High temperature Air Valve

w/Encapsulated Muffler

4= High temperature Air Valve

w/Sound Dampening Muffler

5= High temperature Air Valve

w/Mesh Muffler

Kit Options

00.=None

P0.=0-30VDC Pulse Output Kit

P1.=Intrinsically-Safe 10-30VDC Pulse Output Kit

P2.=110/120 or 220/240VAC Pulse Output Kit

P3.=Intrinsically-Safe 110/120VAC Pulse Output Kit

P4.=Intrinsically-Safe 220/240VAC Pulse Output Kit

SP=Stroke Indicator Pins

**CAUTION! Operating temperature limitations are as follows:**

Materials	Operating Temperatures		
	Maximum*	Minimum*	Optimum**
Buna General purpose, oil-resistant. Shows good solvent, oil, water and hydraulic fluid resistance. Should not be used with highly polar solvents like acetone and MEK, ozone, chlorinated hydrocarbons and nitro hydrocarbons.	190°F 88°C	-10°F -23°C	50° to 140°F 10°C to 60°C
EPDM Shows very good water and chemical resistance. Has poor resistance to oil and solvents, but is fair in ketones and alcohols.	212°F 100°C	-10°F -23°C	50° to 212°F 10°C to 100°C
Neoprene All purpose. Resistant to vegetable oil. Generally not affected by moderate chemicals, fats, greases and many oils and solvents. Generally attacked by strong oxidizing acids, ketones, esters, nitro hydrocarbons and chlorinated aromatic hydrocarbons.	170°F 77°C	-10°F -23°C	50° to 130°F 10°C to 54°C
Santoprene® Injection molded thermoplastic elastomer with no fabric layer. Long mechanical flex life. Excellent abrasion resistance.	212°F 100°C	-10°F -23°C	50° to 212°F 10°C to 100°C
Virgin PTFE Chemically inert, virtually impervious. Very few chemicals are known to react chemically with PTFE: molten alkali metals, turbulent liquid or gaseous fluorine and a few fluoro-chemicals such as chlorine trifluoride or oxygen difluoride which readily liberate free fluorine at elevated temperatures.	212°F 100°C	-35°F -37°C	50°F to 212°F 10°C to 100°C
Viton® Shows good resistance to a wide range of oils and solvents; especially all aliphatic, aromatic and halogenated hydrocarbons, acids, animal and vegetable oils. Hot water or hot aqueous solutions (over 70°F) will attack Viton®.	212°F 100°C	+32°F 0°C	75°F to 212°F 24°C to 100°C
Polypropylene	150°F 65°C	-40°F -40°C	50°F to 140°F 10°C to 60°C

For specific applications, always consult "Chemical Resistance Chart" Technical Bulletin

*Definite reduction in service life.

**Minimal reduction in service life at ends of range.

©Santoprene is a registered tradename of Monsanto Corporation.

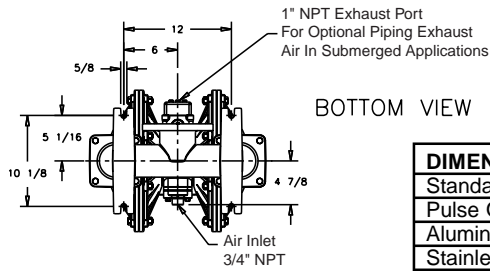
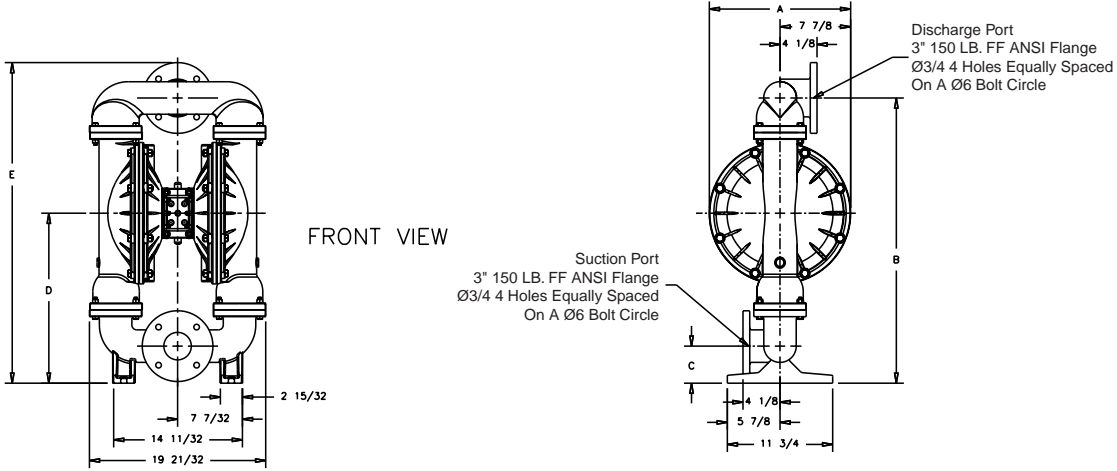
©Viton is a registered tradename of E. I. DuPont.

©Warren Rupp and MARATHON are registered tradenames of Warren Rupp, Inc.

Dimensions: M30 Metallic (Flanged)

Dimensions in Inches

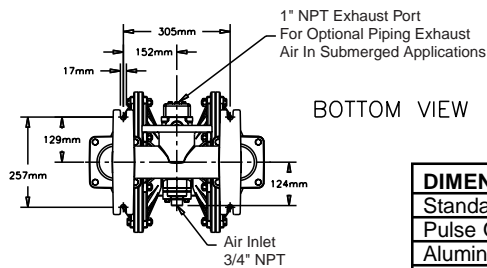
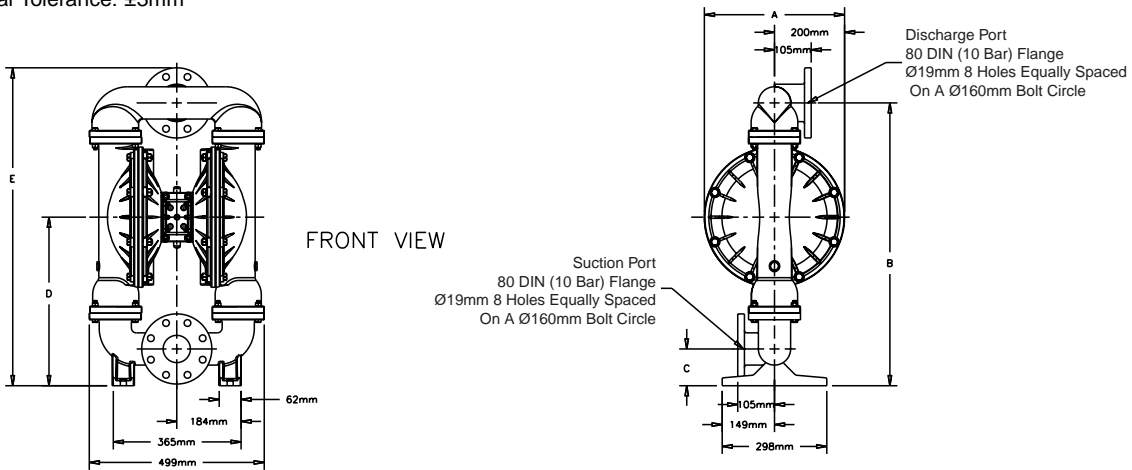
Dimensional Tolerance: $\pm 1/8"$



DIMENSION	A	B	C	D	E
Standard Pump	15 3/4				
Pulse Output Kit	16 1/32				
Aluminum		31 3/4	4 1/8	18 29/32	35 11/16
Stainless Steel & Cast Iron		31 27/32	4 7/32	19	35 25/32
Mesh Muffler	16 5/8				
Sound Dampening Muffler	16 5/8				

Dimensions in Millimeters

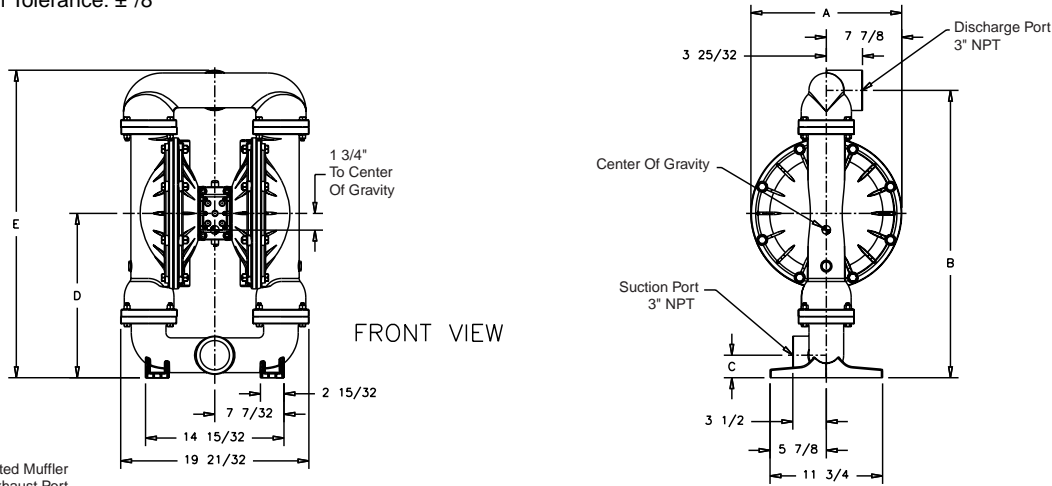
Dimensional Tolerance: $\pm 3\text{mm}$



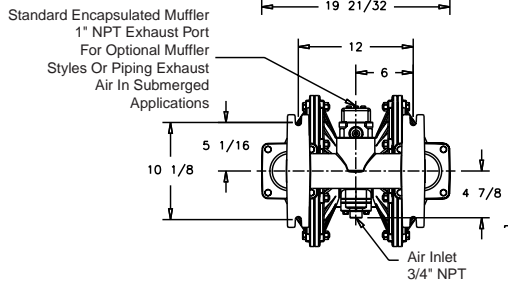
DIMENSION	A	B	C	D	E
Standard Pump	400				
Pulse Output Kit	407				
Aluminum		806	105	481	906
Stainless Steel & Cast Iron		808	107	483	908
Mesh Muffler	422				
Sound Dampening Muffler	422				

Dimensions: M30 Metallic

Dimensions in Inches
Dimensional Tolerance: $\pm 1/8"$

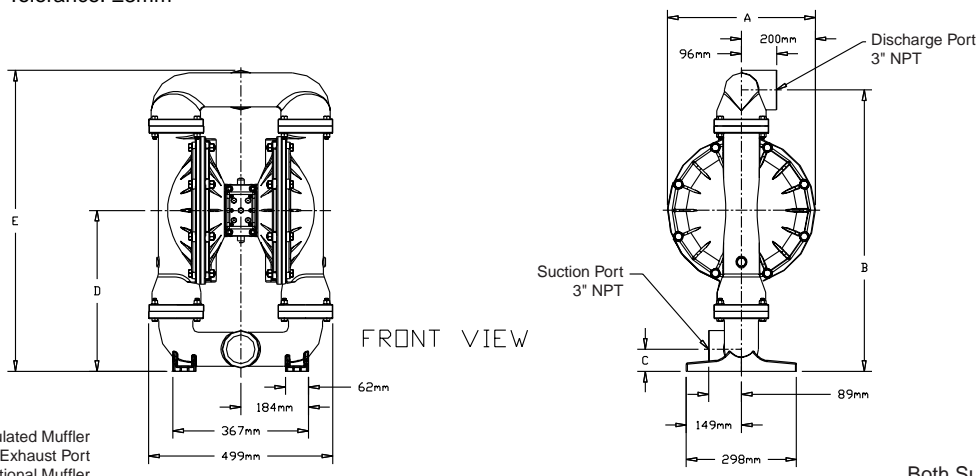


Both Sution And Discharge Ports Are Available With 3" BSP Tapered Connection

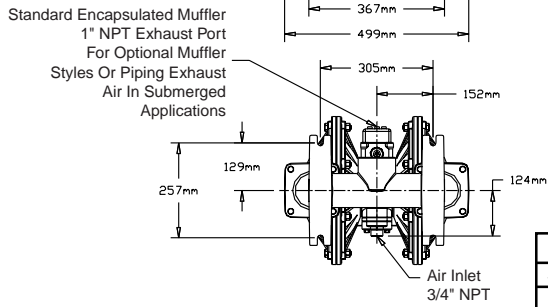


DIMENSION	A	B	C	D	E
Standard Pump	15 3/4				
Pulse Output Kit	16 1/32				
Aluminum		29 31/32	2 11/32	17 9/64	32 1/16
Stainless Steel & Cast Iron		30 3/16	2 9/16	17 23/64	32 9/32
Mesh Muffler	16 5/8				
Sound Dampening Muffler	16 5/8				

Dimensions in Millimeters
Dimensional Tolerance: $\pm 3\text{mm}$



Both Suction And Discharge Ports Are Available With 3" BSP Tapered Connection



DIMENSION	A	B	C	D	E
Standard Pump	400				
Pulse Output Kit	407				
Aluminum		767	60	435	815
Stainless Steel & Cast Iron		767	66	441	821
Mesh Muffler	422				
Sound Dampening Muffler	422				

