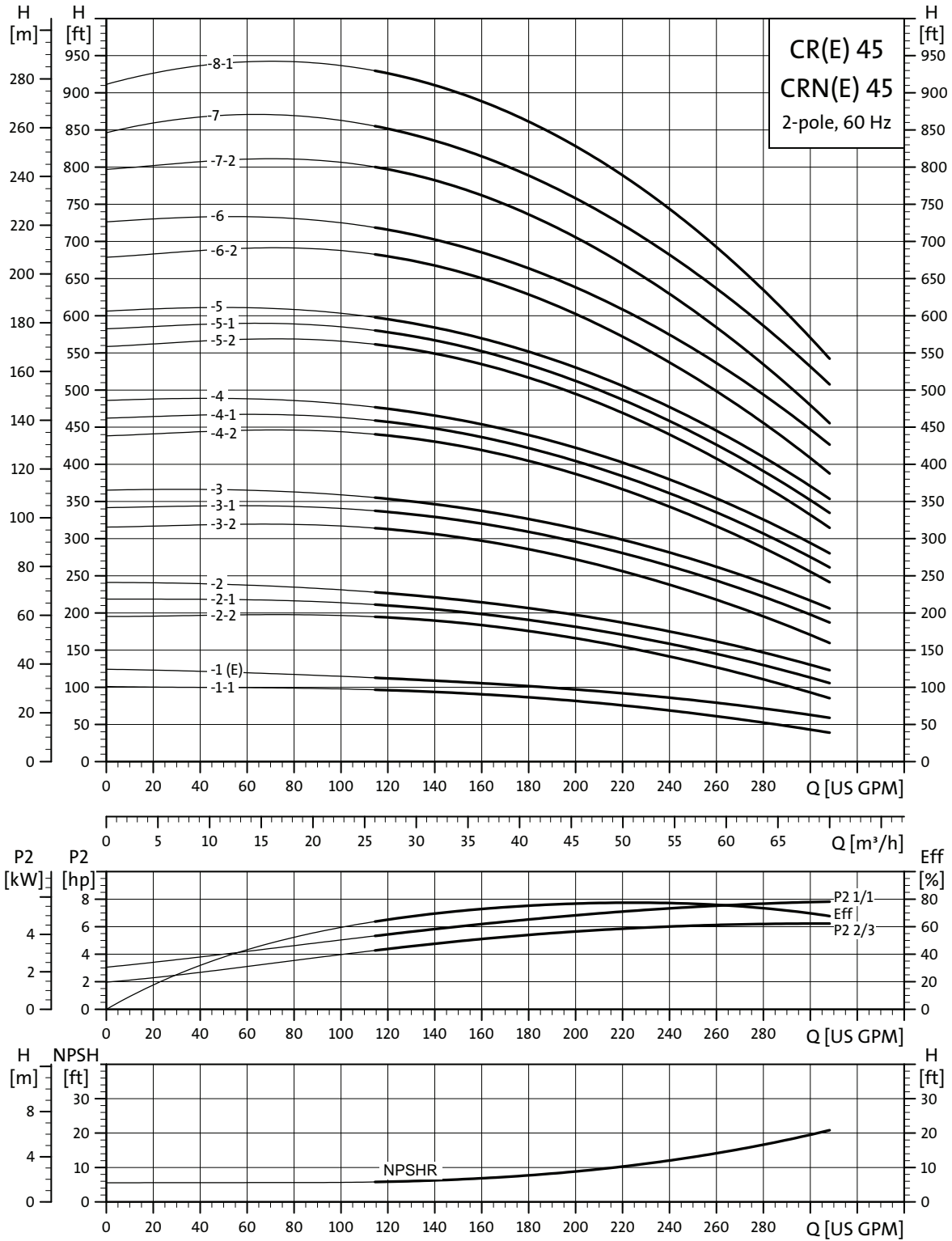
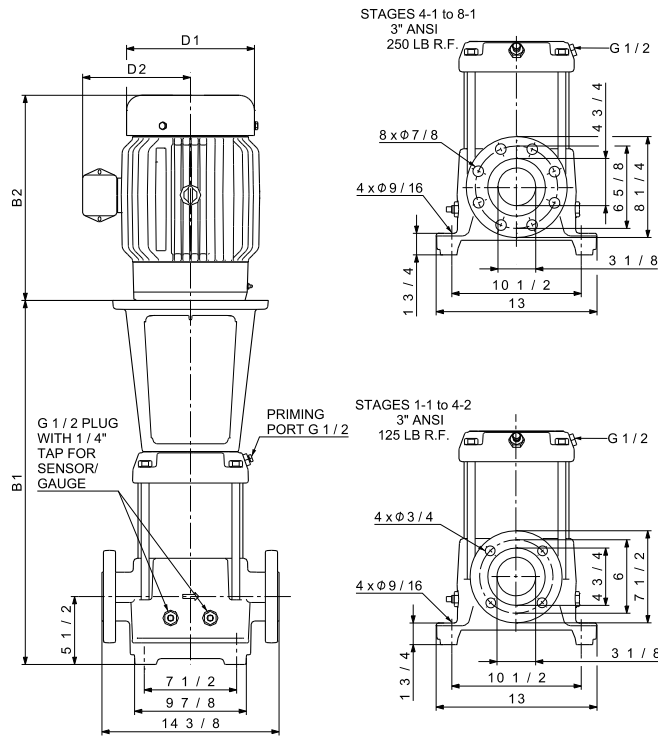


CR(E), CRN(E) 45



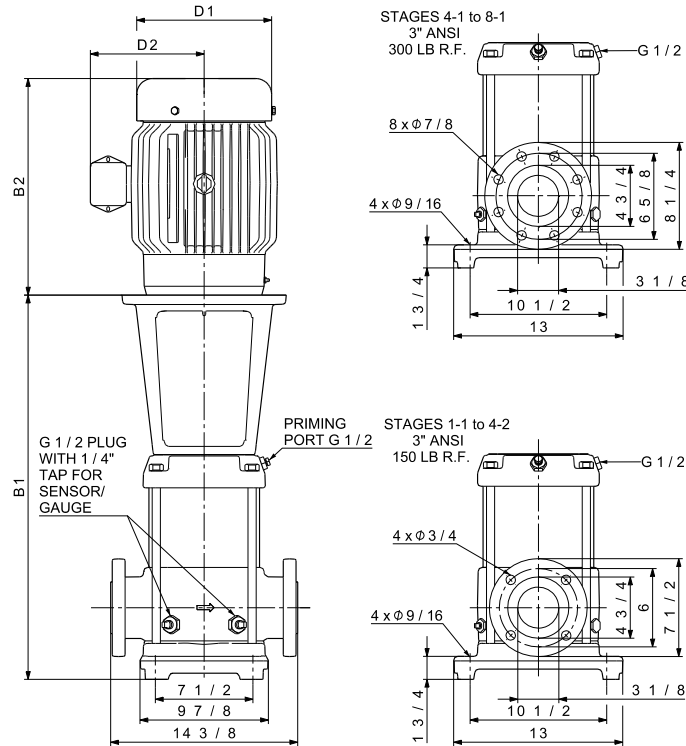
TM02 0040 1303



TM02 7700 1009

Pump type	P2 [hp]	Ph.	ANSI dimensions [inch]									Ship Wt. [lbs.]	ANSI dimensions [inch]				Ship Wt. [lbs.]
			B1	TEFC			ODP			MLE							
				D1	D2	B1+B2	D1	D2	B1+B2	D1	D2		B1+B2				
CR 45-1-1	7 1/2	1	22	10 1/4	7 1/2	37 3/8	-	-	-	-	-	-	-	-	-		
		3	22	8 3/4	5 3/8	37 5/8	-	-	-	-	-	-	-	-	-		
CR(E) 45-1	7 1/2	1	22	10 1/4	7 1/2	37 3/8	-	-	-	-	-	-	-	-	-		
		3	22	8 3/4	5 3/8	37 5/8	-	-	-	8 3/4	7 1/2	37 3/8	311	-			
CR 45-2-2	15	3	29 1/2	10 1/4	8 3/4	46 1/8	10 5/8	7 5/8	45 1/2	333	-	-	-	-			
CR 45-2-1	15	3	29 1/2	10 1/4	8 3/4	46 1/8	10 5/8	7 5/8	45 1/2	333	-	-	-	-			
CR 45-2	15	3	29 1/2	10 1/4	8 3/4	46 1/8	10 5/8	7 5/8	45 1/2	333	-	-	-	-			
CR 45-3-2	20	3	32 3/4	10 1/4	8 3/4	49 1/8	11 5/8	9	52 1/4	356	-	-	-	-			
CR 45-3-1	25	3	32 3/4	13	11	52 3/8	11 1/2	9	53	436	-	-	-	-			
CR 45-3	25	3	32 3/4	13	11	52 3/8	11 1/2	9	53	436	-	-	-	-			
CR 45-4-2	30	3	35 7/8	15 5/8	13 1/8	58 7/8	11 1/2	9	57 3/8	606	-	-	-	-			
CR 45-4-1	30	3	35 7/8	15 5/8	13 1/8	58 7/8	11 1/2	9	57 3/8	609	-	-	-	-			
CR 45-4	30	3	35 7/8	15 5/8	13 1/8	58 7/8	11 1/2	9	57 3/8	609	-	-	-	-			
CR 45-5-2	40	3	39	15 5/8	13 1/8	62	13 1/4	12 1/4	62	632	-	-	-	-			
CR 45-5-1	40	3	39	15 5/8	13 1/8	62	13 1/4	12 1/4	62	632	-	-	-	-			
CR 45-5	40	3	39	15 5/8	13 1/8	62	13 1/4	12 1/4	62	632	-	-	-	-			
CR 45-6-2	50	3	42 1/8	17	14 1/8	69 5/8	13 1/4	12 1/4	64 5/8	677	-	-	-	-			
CR 45-6	50	3	42 1/8	17	14 1/8	69 5/8	13 1/4	12 1/4	64 5/8	677	-	-	-	-			
CR 45-7-2	50	3	45 1/4	17	14 1/8	72 6/8	13 1/4	12 1/4	67 3/4	938	-	-	-	-			
CR 45-7	60	3	45 1/4	19	15	75 6/8	15 1/4	13 1/4	71 1/8	1113	-	-	-	-			
CR 45-8-1	60	3	48 3/8	19	15	78 7/8	15 1/4	13 1/4	74 1/4	1113	-	-	-	-			

1) Weights are based on pump with TEFC motor (see price list for individual weights)
All dimensions in inches unless otherwise noted.



TM02 7704 1009

Pump type	P2 [hp]	Ph.	ANSI dimensions [inch]							Ship Wt. [lbs.]	ANSI dimensions [inch]				Ship Wt. [lbs.]
			B1	TEFC			ODP				MLE				
				D1	D2	B1+B2	D1	D2	B1+B2		D1	D2	B1+B2		
CRN 45-1-1	7 1/2	1	22	10 1/4	7 1/2	37 3/8	-	-	-	301	-	-	-	-	
		3	22	8 3/4	5 3/8	37 5/8	-	-	-	243	-	-	-	-	
CRN(E) 45-1	7 1/2	1	22	10 1/4	7 1/2	37 3/8	-	-	-	301	-	-	-	-	
		3	22	8 3/4	5 3/8	37 5/8	-	-	-	243	8 3/4	7 1/2	37 3/8	311	
CRN 45-2-2	15	3	29 1/2	10 1/4	8 3/4	46 1/8	10 5/8	7 5/8	45 1/2	333	-	-	-	-	
CRN 45-2-1	15	3	29 1/2	10 1/4	8 3/4	46 1/8	10 5/8	7 5/8	45 1/2	333	-	-	-	-	
CRN 45-2	15	3	29 1/2	10 1/4	8 3/4	46 1/8	10 5/8	7 5/8	45 1/2	333	-	-	-	-	
CRN 45-3-2	20	3	32 3/4	10 1/4	8 3/4	49 1/8	11 5/8	9	52 1/4	356	-	-	-	-	
CRN 45-3-1	25	3	32 3/4	13	11	52 3/8	11 1/2	9	53	436	-	-	-	-	
CRN 45-3	25	3	32 3/4	13	11	52 3/8	11 1/2	9	53	436	-	-	-	-	
CRN 45-4-2	30	3	35 7/8	15 5/8	13 1/8	58 7/8	11 1/2	9	57 3/8	606	-	-	-	-	
CRN 45-4-1	30	3	35 7/8	15 5/8	13 1/8	58 7/8	11 1/2	9	57 3/8	609	-	-	-	-	
CRN 45-4	30	3	35 7/8	15 5/8	13 1/8	58 7/8	11 1/2	9	57 3/8	609	-	-	-	-	
CRN 45-5-2	40	3	39	15 5/8	13 1/8	62	13 1/4	12 1/4	62	632	-	-	-	-	
CRN 45-5-1	40	3	39	15 5/8	13 1/8	62	13 1/4	12 1/4	62	632	-	-	-	-	
CRN 45-5	40	3	39	15 5/8	13 1/8	62	13 1/4	12 1/4	62	632	-	-	-	-	
CRN 45-6-2	50	3	42 1/8	17	14 1/8	69 5/8	13 1/4	12 1/4	64 5/8	677	-	-	-	-	
CRN 45-6	50	3	42 1/8	17	14 1/8	69 5/8	13 1/4	12 1/4	64 5/8	677	-	-	-	-	
CRN 45-7-2	50	3	45 1/4	17	14 1/8	72 6/8	13 1/4	12 1/4	67 3/4	938	-	-	-	-	
CRN 45-7	60	3	45 1/4	19	15	75 6/8	15 1/4	13 1/4	71 1/8	1113	-	-	-	-	
CRN 45-8-1	60	3	48 3/8	19	15	78 7/8	15 1/4	13 1/4	74 1/4	1113	-	-	-	-	

1) Weights are based on pump with TEFC motor (see price list for individual weights)
All dimensions in inches unless otherwise noted.