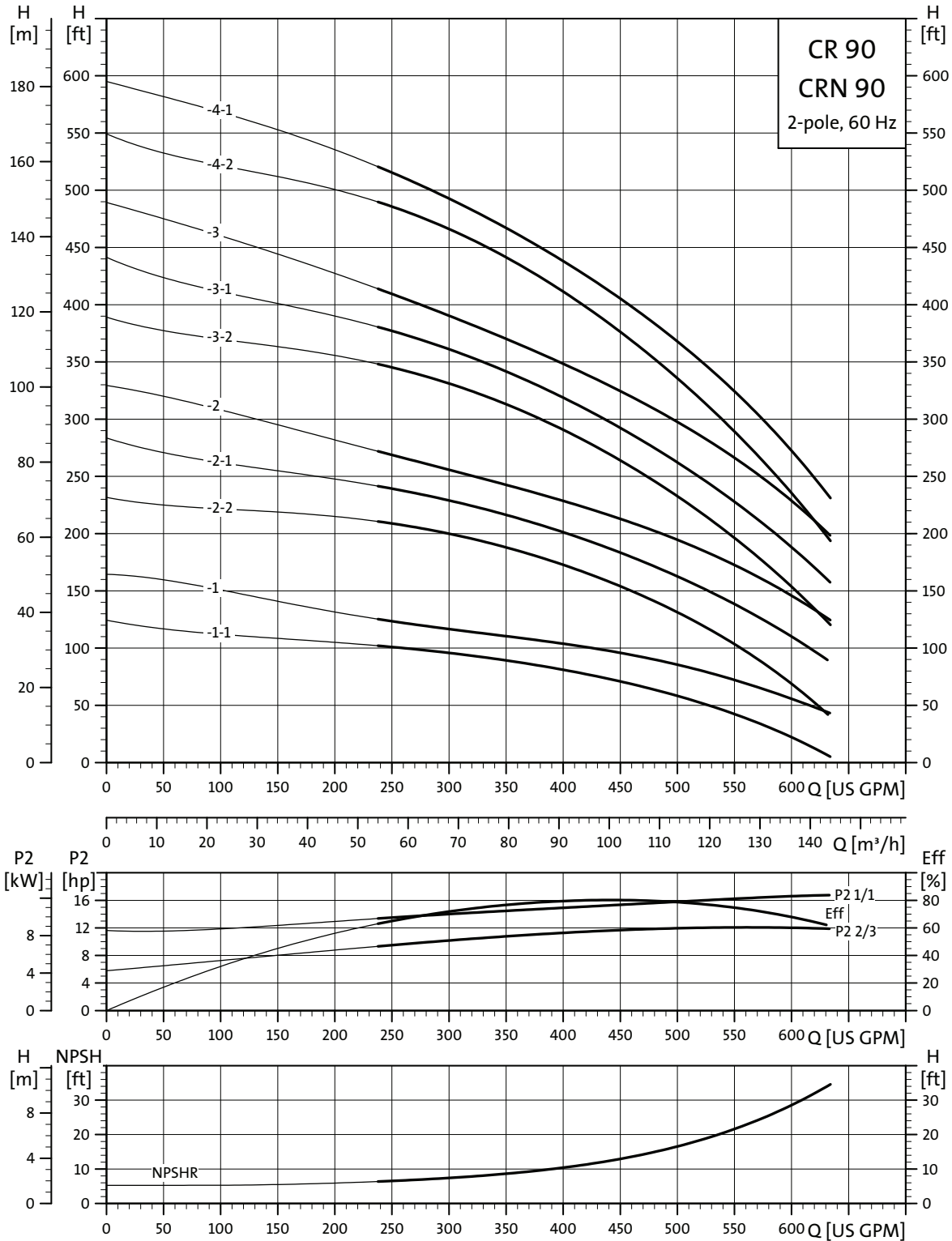
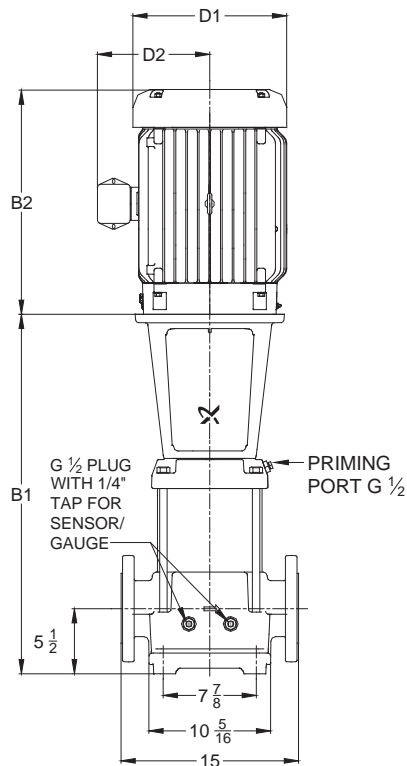


CR, CRN 90

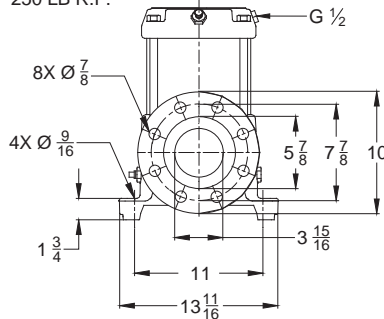


TM02 0042 1303



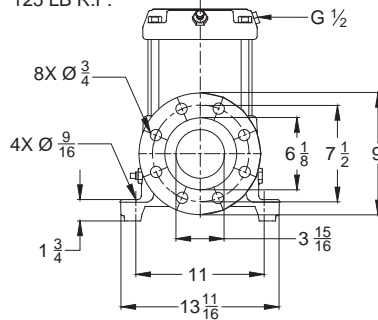
4-5 STAGES

4" ANSI
250 LB R.F.



1-3 STAGES

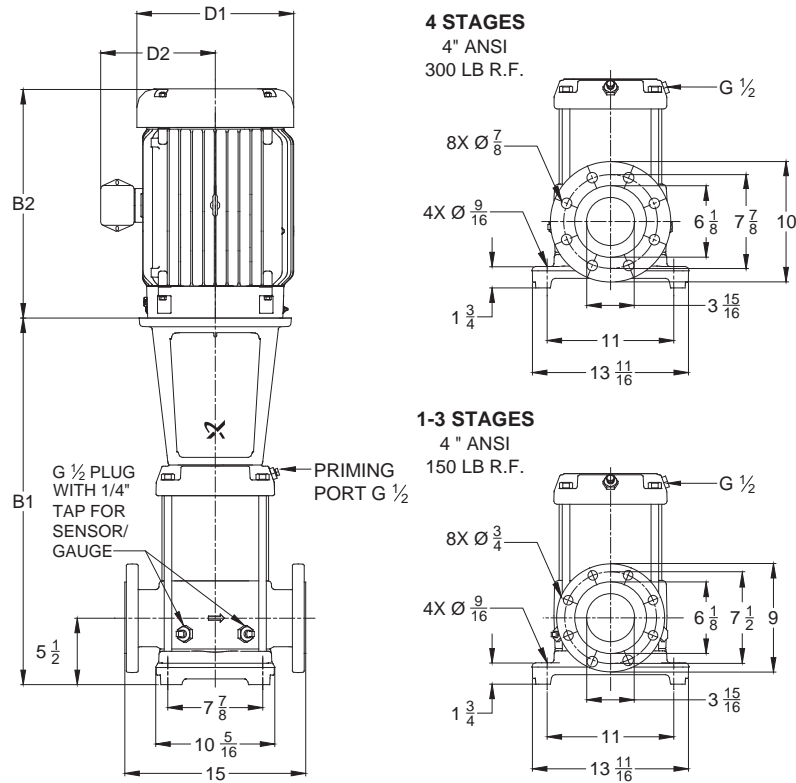
4" ANSI
125 LB R.F.



TM02 7702 3804

Pump type	P2 [hp]	Ph.	ANSI dimensions [inch]									Ship Wt. [lbs.]	ANSI dimensions [inch]			Ship Wt. [lbs.]
			B1	TEFC			ODP			MLE						
				D1	D2	B1+B2	D1	D2	B1+B2	D1	D2		B1+B2			
CR 90-1-1	15	3	26 7/8	10 1/4	8 3/4	43 1/2	10 5/8	7 3/8	45 7/8	350	-	-	-	-		
CR 90-1	15	3	26 7/8	10 1/4	8 3/4	43 1/2	10 5/8	7 3/8	46 3/8	350	-	-	-	-		
CR 90-2-2	25	3	30 1/2	13	11 1/2	46 7/8	11 1/2	9	50 3/4	455	-	-	-	-		
CR 90-2-1	30	3	30 1/2	15 5/8	13 1/8	50 1/8	11 1/2	9	52	616	-	-	-	-		
CR 90-2	40	3	30 1/2	15 5/8	13 1/8	53 1/2	13 1/4	12 1/4	53 1/2	631	-	-	-	-		
CR 90-3-2	40	3	34 1/8	15 5/8	13 1/8	57 1/8	13 1/4	12 1/4	57 1/8	642	-	-	-	-		
CR 90-3-1	50	3	34 1/8	17	14 1/8	61 5/8	13 1/4	12 1/4	56 5/8	672	-	-	-	-		
CR 90-3	50	3	34 1/8	17	14 1/8	61 5/8	13 1/4	12 1/4	56 5/8	672	-	-	-	-		
CR 90-4-2	60	3	37 3/4	19	15	68 1/4	15 1/4	13 1/4	63 5/8	876	-	-	-	-		
CR 90-4-1	60	3	37 3/4	19	15	68 1/4	15 1/4	13 1/4	63 5/8	876	-	-	-	-		

¹⁾ Weights are based on pump with TEFC motor (see price list for individual weights)
All dimensions in inches unless otherwise noted.



TM02 7706 3804

Pump type	P2 [hp]	Ph.	Dimensions [inch]							Ship Wt. [lbs.]	Dimensions [inch]			Ship Wt. [lbs.]
			B1	TEFC			ODP				MLE			
				D1	D2	B1+B2	D1	D2	B1+B2		D1	D2	B1+B2	
CRN 90-1-1	15	3	26 7/8	10 1/4	8 3/4	43 1/2	10 5/8	7 3/8	45 7/8	350	-	-	-	-
CRN 90-1	15	3	26 7/8	10 1/4	8 3/4	43 1/2	10 5/8	7 3/8	46 3/8	350	-	-	-	-
CRN 90-2-2	25	3	30 1/2	13	11 1/2	46 7/8	11 1/2	9	50 3/4	455	-	-	-	-
CRN 90-2-1	30	3	30 1/2	15 5/8	13 1/8	50 1/8	11 1/2	9	52	616	-	-	-	-
CRN 90-2	40	3	30 1/2	15 5/8	13 1/8	53 1/2	13 1/4	12 1/4	53 1/2	631	-	-	-	-
CRN 90-3-2	40	3	34 1/8	15 5/8	13 1/8	57 1/8	13 1/4	12 1/4	57 1/8	642	-	-	-	-
CRN 90-3-1	50	3	34 1/8	17	14 1/8	61 5/8	13 1/4	12 1/4	56 5/8	672	-	-	-	-
CRN 90-3	50	3	34 1/8	17	14 1/8	61 5/8	13 1/4	12 1/4	56 5/8	672	-	-	-	-
CRN 90-4-2	60	3	37 3/4	19	15	68 1/4	15 1/4	13 1/4	63 5/8	876	-	-	-	-
CRN 90-4-1	60	3	37 3/4	19	15	68 1/4	15 1/4	13 1/4	63 5/8	876	-	-	-	-

¹⁾ Weights are based on pump with TEFC motor (see price list for individual weights)
All dimensions in inches unless otherwise noted.