

# SALES & ENGINEERING DATA

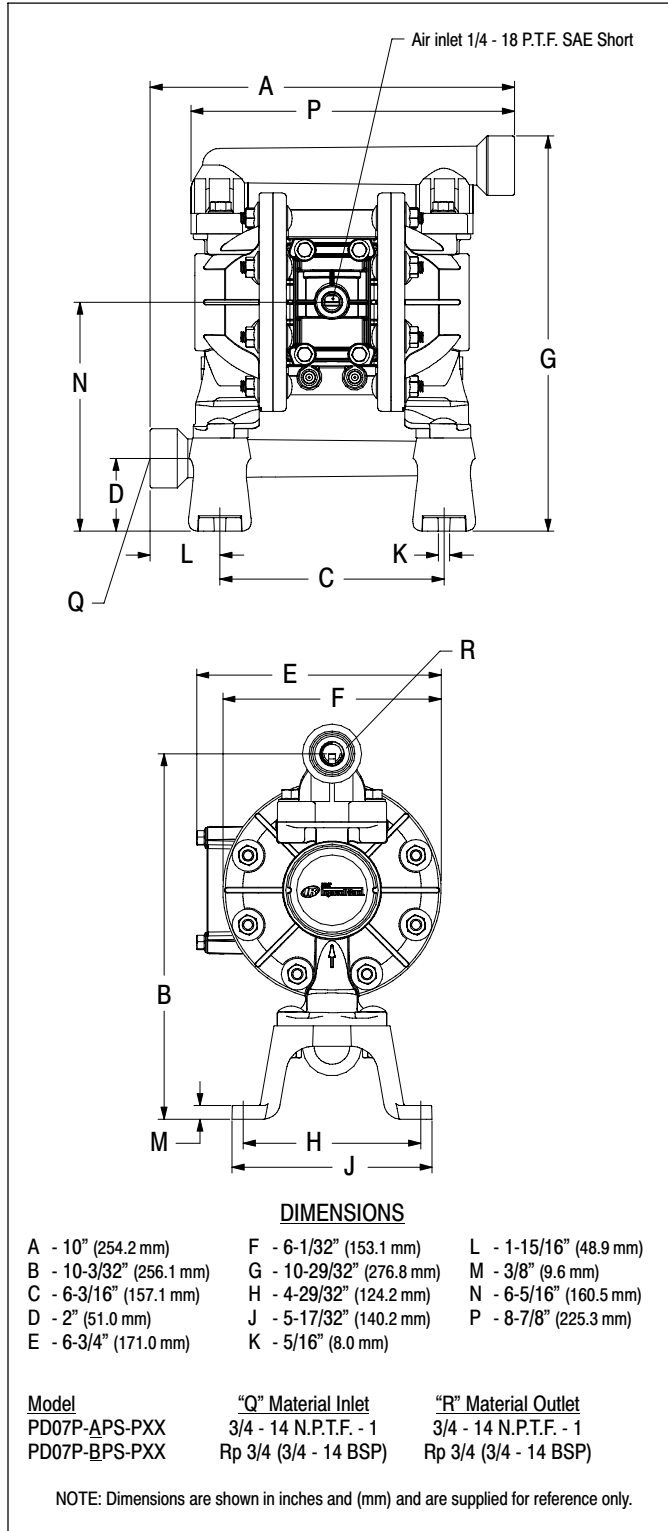
RATIO SERIES:	1:1
FLUID P.S.I. RANGE:	10 - 100

## PD07P-XPS-PXX

### 3/4" NON-METALLIC DIAPHRAGM PUMP

RELEASED: 12-4-06  
 REVISED:  
 (REV. 01) S-1409

#### DIMENSIONAL DATA



#### SPECIFICATIONS

##### CONSTRUCTION

<b>Model Series</b>	PD07P-XPS-PXX
<b>Pump Type</b>	Non-Metallic, Air Operated, Double Diaphragm
<b>Ratio</b>	1:1
<b>Material Inlet / Outlet (female)</b>	
PD07P-APS-PXX	3/4 - 14 N.P.T.F. - 1
PD07P-BPS-PXX	Rp 3/4 (3/4 - 14 BSP parallel)
<b>Air Inlet (female)</b>	1/4 - 18 P.T.F. SAE short
<b>Air Exhaust (standard)</b>	internal
(optional)(female)	3/8 - 18 N.P.T.F. - 1
<b>Weight</b>	5.61 lbs (2.54 kgs)
<b>Air Section Service Kit</b>	637428
<b>Fluid Section Service Kit</b>	637427-XX

PD07P-XPS-P	X	X
637427 -	X	X
	Diaphragm Material	
	Ball Material	

EXAMPLE: Model #PD07P-APS-PAA  
 Fluid Section Service Kit is 637427-AA

##### PERFORMANCE

<b>Air Inlet Pressure Range</b>	10 - 100 p.s.i. (0.69 - 6.9 bar)
<b>Maximum Material Inlet Pressure</b>	10 p.s.i. (0.69 bar)
<b>Fluid Outlet Pressure Range</b>	10 - 100 p.s.i. (0.69 - 6.9 bar)
<b>Maximum Flow Rate (flooded inlet)</b>	14.8 g.p.m. (56.0 l.p.m.)
<b>Displacement / Cycle @ 100 p.s.i.</b>	0.032 gal. (0.12 lit.)
<b>Maximum Particle Size</b>	3/32" dia. (2.4 mm)
<b>Maximum Temperature Limits (diaphragm / ball / seat material)</b>	
Polypropylene	35° to 150° F (2° to 66° C)
Santoprene	-40° to 225° F (-40° to 107° C)
Teflon PTFE	40° to 225° F (4° to 107° C)
<b>Noise Level @ 70 p.s.i. - 60 c.p.m.①</b>	75.0 db(A)②

**Notes:**

- ① Tested with 67367 muffler assembly installed.
- ② The pump sound pressure level has been updated to an Equivalent Continuous Sound Level (L<sub>Aeq</sub>) to meet the intent of ANSI S1. 13-1971, CAGI-PNEUROP S5.1 using four microphone locations.

**ACCESSORIES:**

- 66073-1 Air Line Connection Kit
- 637438 Ported Exhaust Kit
- 93110 Muffler

# PERFORMANCE CURVES

## PD07P-XPS-PXX 3/4" NON-METALLIC DIAPHRAGM PUMP

