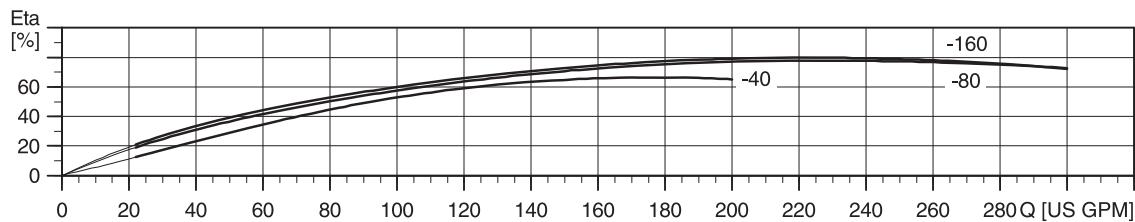
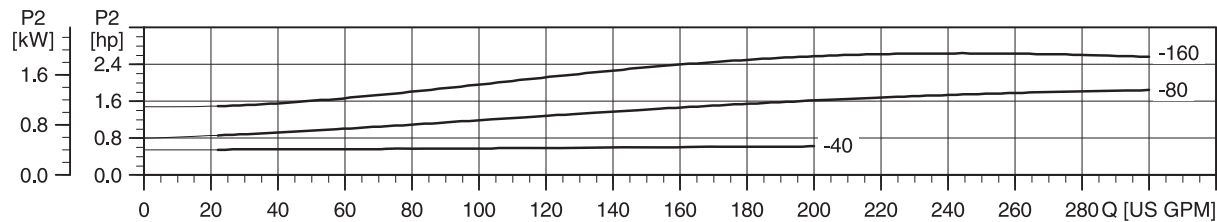
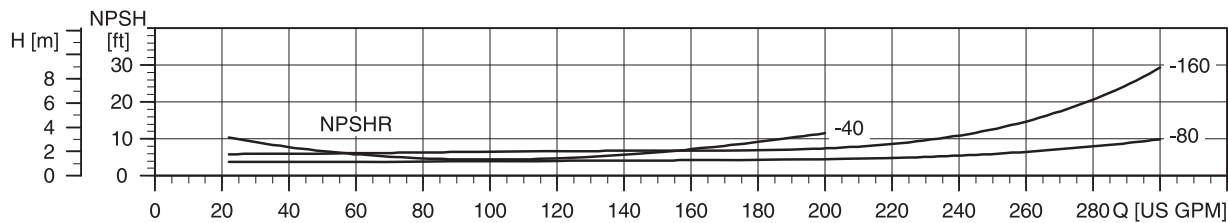
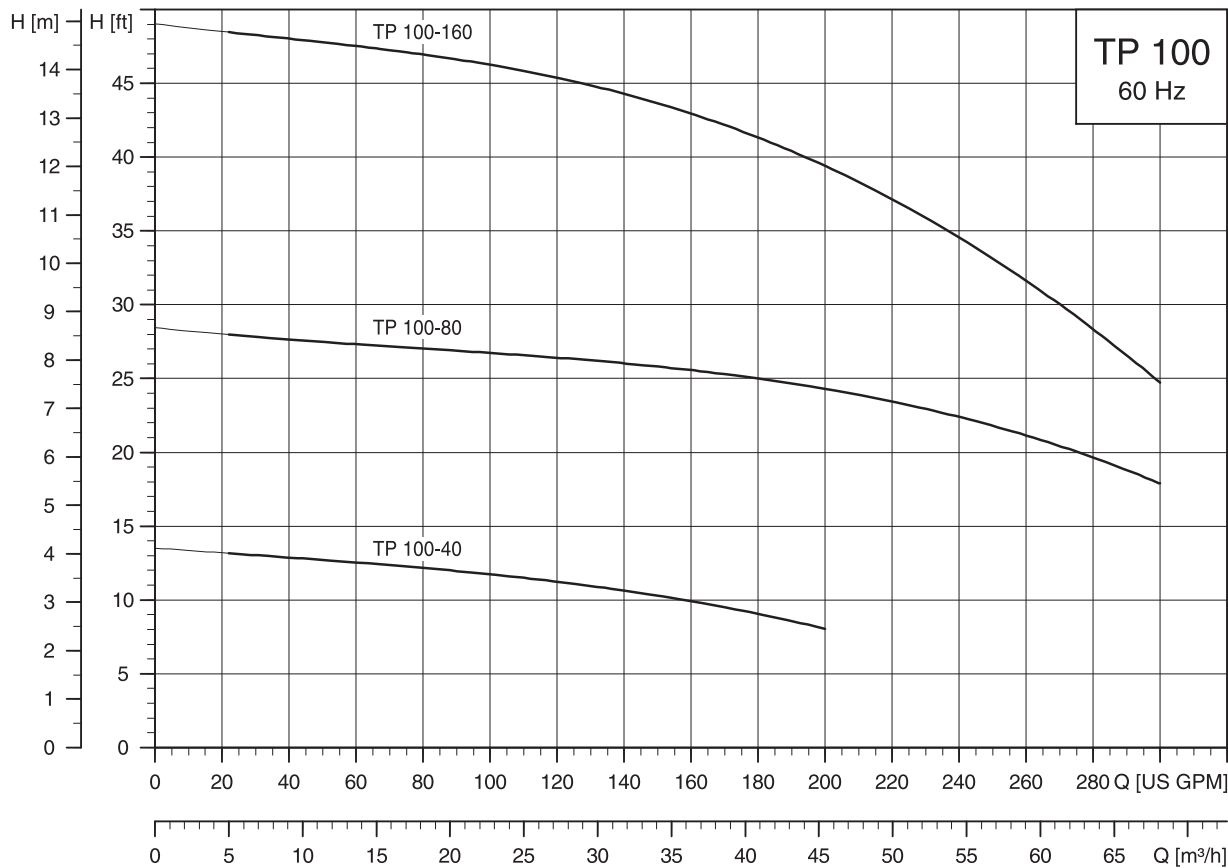
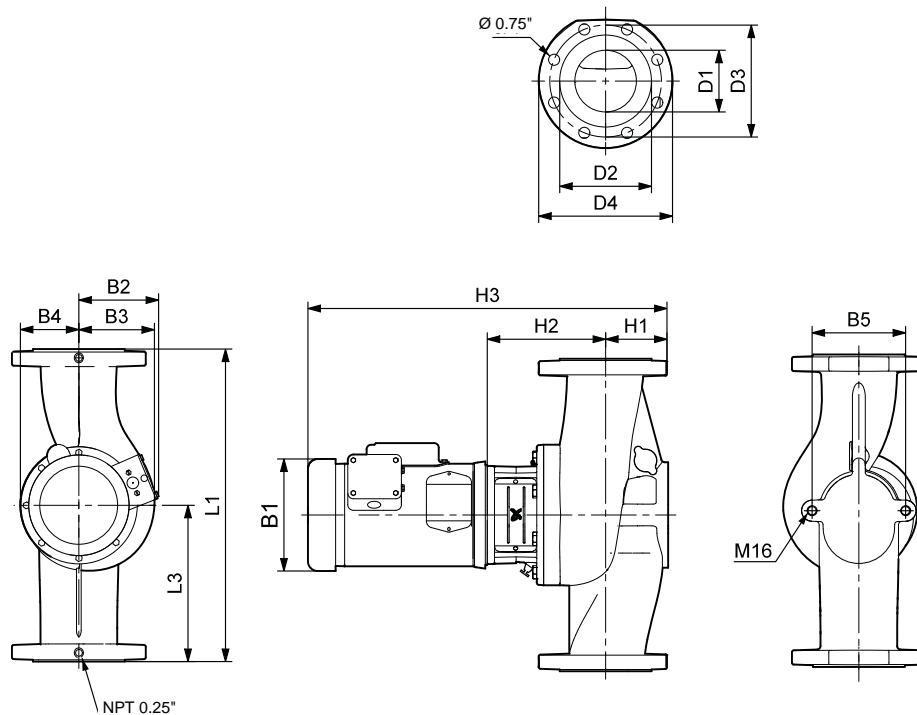


TP 100-XX





TM03 7755 4806

Dimensions and weights TP 100-XX

Pump type	Hp	Ph	Dimensions [inches (mm)]																	Net weight [lbs]
			L1	L3	B1	B2	B3	B4	B5	H1	H2	H3	D1	D2	D3	D4	D6	D7		
TP 100-40/4	1	1	21 (533)	10.5 (267)	7.19 (183)	5.74 (146)	5.13 (130)	4 (102)	6.3 (160)	4.21 (107)	7.41 (188)	22.81 (579)	4.13 (105)	6.18 (157)	7.5 (191)	9 (229)	-	-	139	
	1	3	21 (533)	10.5 (267)	7.19 (183)	5.74 (146)	5.13 (130)	4 (102)	6.3 (160)	4.21 (107)	7.41 (188)	21.79 (553)	4.13 (105)	6.18 (157)	7.5 (191)	9 (229)	-	-	150	
TP 100-80/4	2	1	21 (533)	10.5 (267)	7.19 (183)	5.74 (146)	5.31 (135)	4 (102)	6.3 (160)	4.80 (122)	6.57 (167)	23.43 (595)	4.13 (105)	6.18 (157)	7.5 (191)	9 (229)	-	-	149	
	2	3	21 (533)	10.5 (267)	7.19 (183)	5.74 (146)	5.31 (135)	4 (102)	6.3 (160)	4.80 (122)	6.57 (167)	22.54 (573)	4.13 (105)	6.18 (157)	7.5 (191)	9 (229)	-	-	156	
TP 100-160/2	3	1	21 (533)	10.5 (267)	8.6 (218)	6.87 (175)	4.94 (126)	4 (102)	6.3 (160)	4.21 (107)	7.22 (183)	25.83 (656)	4.13 (105)	6.18 (157)	7.5 (191)	9 (229)	-	-	163	
	3	3	21 (533)	10.5 (267)	7.01 (178)	4.33 (110)	4.94 (126)	4 (102)	6.3 (160)	4.21 (107)	7.22 (183)	24.66 (626)	4.13 (105)	6.18 (157)	7.5 (191)	9 (229)	-	-	162	

Note: For information about motor data, see page 25.

Technical data

Flow range:	25-300 U.S. gpm
Head range:	8-49 ft
Maximum working pressure:	145 psi (10 bar)
Temperature range:	5 °F (-15 °C) to 284 °F (140 °C)
Max ambient air temperature:	104 °F (40 °C)
Motors:	TEFC-Standard, ODP-Optional
Flanges:	4" ANSI 125 lb., R.F.