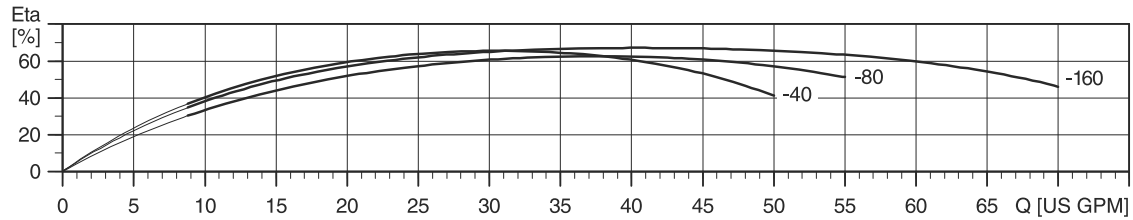
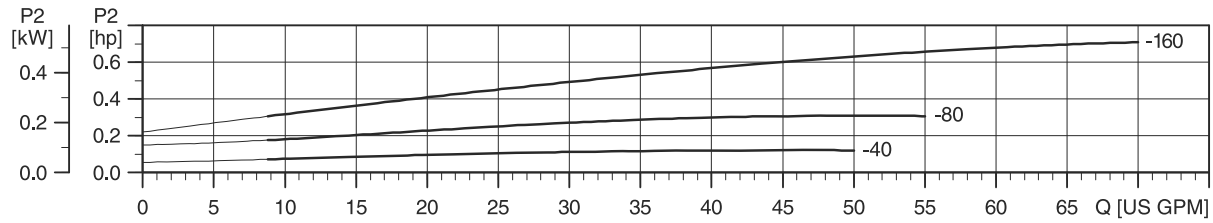
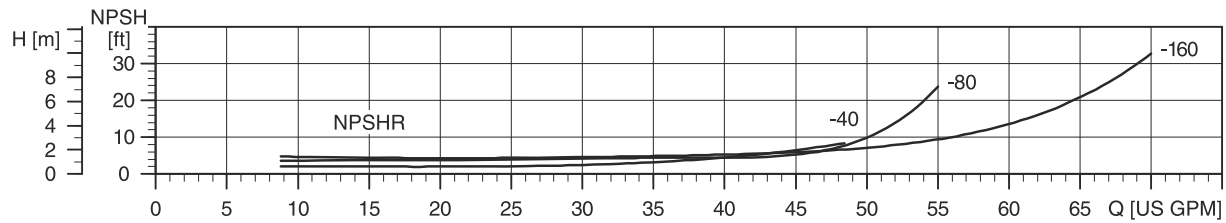
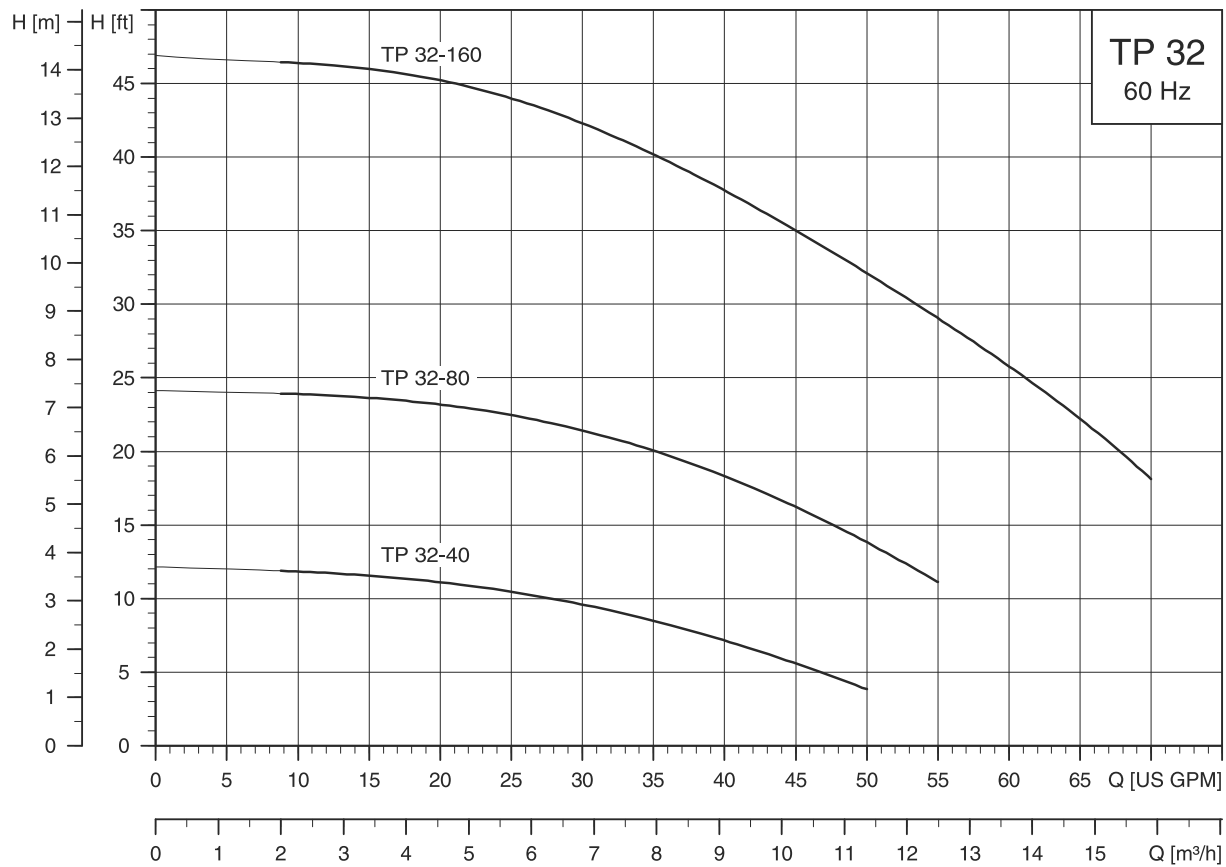
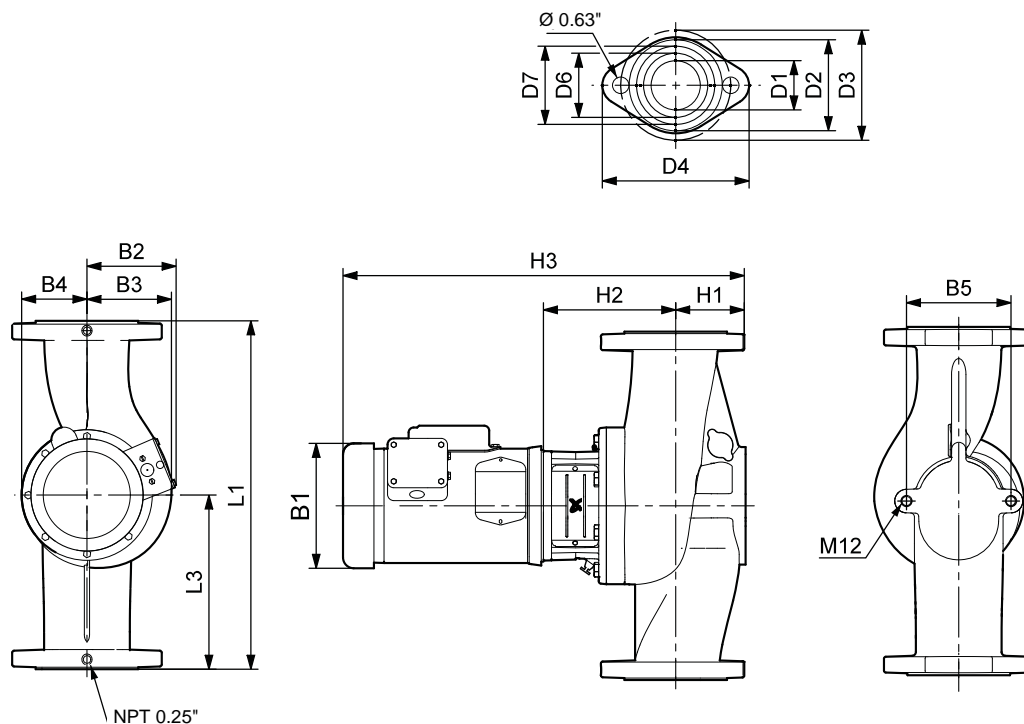


TP 32-XX





TM03 7757 4806

Dimensions and weights TP 32-XX

Pump type	Hp	Ph	Dimensions [inches (mm)]															Net weight [lbs]	
			L1	L3	B1	B2	B3	B4	B5	H1	H2	H3	D1	D2	D3	D4	D6		D7
TP 32-40/4	0.33	1	11 (279)	5.5 (140)	6.19 (157)	5.19 (132)	3 (76)	3 (76)	3.15 (80)	2.68 (68)	5.92 (150)	17.88 (454)	1.44 (37)	2.56 (65)	3.15 (80)	4.63 (118)	1.81 (46)	2.25 (57)	49
	0.33	3	11 (279)	5.5 (140)	6.19 (157)	5.19 (132)	3 (76)	3 (76)	3.15 (80)	2.68 (68)	5.92 (150)	17.88 (454)	1.44 (37)	2.56 (65)	3.15 (80)	4.63 (118)	1.81 (46)	2.25 (57)	48
TP 32-80/2	0.5	1	11 (279)	5.5 (140)	6.19 (157)	5.19 (132)	3 (76)	3 (76)	3.15 (80)	2.68 (68)	5.80 (147)	18.39 (467)	1.44 (37)	2.56 (65)	3.15 (80)	4.63 (118)	1.81 (46)	2.25 (57)	52
	0.5	3	11 (279)	5.5 (140)	5.55 (141)	4.57 (116)	3 (76)	3 (76)	3.15 (80)	2.68 (68)	5.80 (147)	15.92 (404)	1.44 (37)	2.56 (65)	3.15 (80)	4.63 (118)	1.81 (46)	2.25 (57)	51
TP 32-160/2	0.75	1	13.5 (343)	6.75 (171)	6.19 (157)	5.19 (132)	3 (76)	3 (76)	3.15 (80)	2.68 (68)	5.84 (148)	17.81 (452)	1.69 (43)	2.88 (73)	3.43 (87)	5 (127)	2.05 (52)	2.54 (67)	54
	0.75	3	13.5 (343)	6.75 (171)	5.55 (141)	4.57 (116)	3 (76)	3 (76)	3.15 (80)	2.68 (68)	5.84 (148)	15.96 (405)	1.69 (43)	2.88 (73)	3.43 (87)	5 (127)	2.05 (52)	2.54 (67)	53

Note: For information about motor data, see page 25.

Technical data

Flow range:	8-70 U.S. gpm
Head range:	3.5-47 ft
Maximum working pressure:	145 psi (10 bar)
Temperature range:	5 °F (-15 °C) to 284 °F (140 °C)
Max ambient air temperature:	104 °F (40 °C)
Motors:	TEFC-Standard, ODP-Optional
Flanges:	1 1/4" (TP32-40, TP32-80) and 1 1/2" (TP32-160), 2 bolt with (2) .63" dia. holes