

14EH/16EH SERIES - 1/2 HP, 1 HP

APPLICATIONS

Effluent wastewater removal, dewatering, water transfer

FEATURES

- Permanent Split Capacitor (PSC) ball bearing motor
- High speed 3450 rpm
- Completely submersible, designed for continuous duty
- High head model
- 2" FNPT (51 mm) discharge
- Handles solids up to 3/4" (19 mm) diameter
- 140 °F (60 °C) liquid temperature rating
- cCSAus listed (514550 CSA only)



SERIES SPECIFICATIONS

Pump	Volts	Hz	Amps		Watts	Performance (GPM @ Height in Feet)					Shut-Off (ft)	PSI
			FLA	Start		20'	30'	40'	50'	60'		
14EH	115	60	12.5	22	1450	60	40	20	-	-	50	21.6
	208-240	60	5.7	11	1275	60	40	20	-	-	50	21.6
16EH	230	60	10.2	30	2200	-	90	70	50	30	81	35.1
	208-240	60	6.6	25	1350	-	90	70	50	30	81	35.1
	380	50	2.6	11.1	1000	68.6	46	17.6	-	-	55	23.8
	460	60	3.2	12.5	1450	-	90	70	45	30	81	35.1
	575	60	2.5	9.8	1450	-	90	70	45	30	81	35.1

Item No.	Model	HP	Volts	Cord	Weight
514220	14EH-CIM	1/2	115	20' 6.1 m	82 lbs 37.19 Kg
514221	14EH-CIM	1/2	208-240	20' 6.1 m	82 lbs 37.19 Kg

Item No.	Model	HP	Volts	Phase	Cord	Weight
514520	16EH-CIM	1	230	1*	20' 6.1 m	89 lbs 40.37 Kg
514530	16EH-CIM	1	208-240	3**	20' 6.1 m	82 lbs 37.19 Kg
514540	16EH-CIM	1	460-380	3**	20' 6.1 m	82 lbs 37.19 Kg
514550***	16EH-CIM	1	575	3**	20' 6.1 m	82 lbs 37.19 Kg

* Single-phase pumps can use a mechanical float switch or a single-phase control panel for automatic on/off

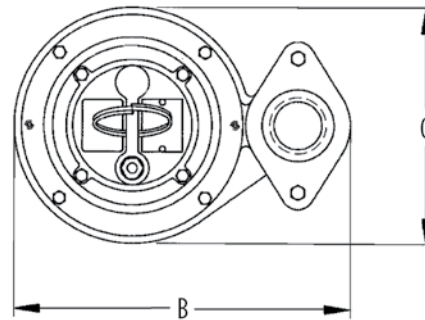
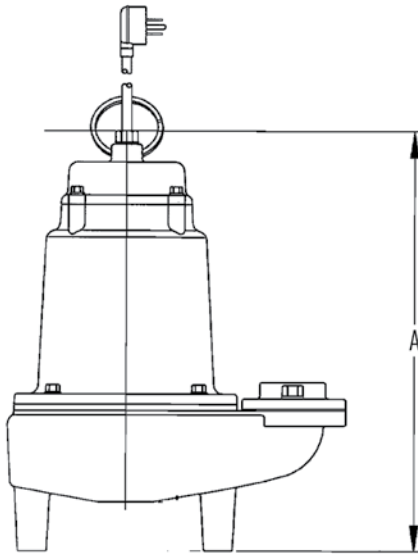
** Three-phase pumps must have a three-phase control panel for automatic or manual operation

*** CSA only

EFFLUENT PUMPS

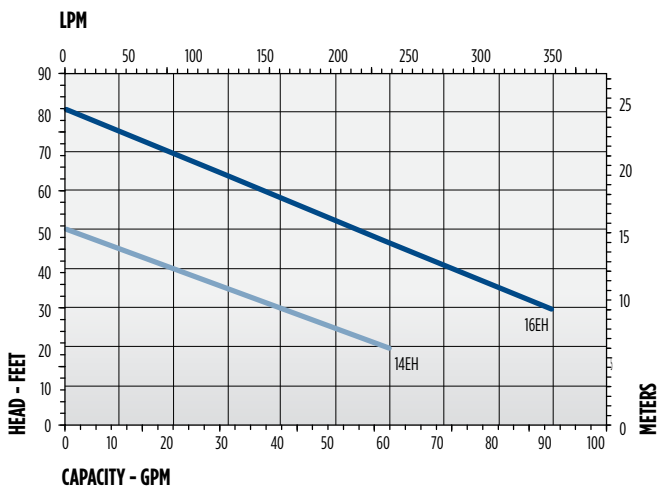
14EH/16EH SERIES - 1/2 HP, 1 HP

ENGINEERING DATA



A	B	C
16.2" 41.15 cm	14.1" 35.81 cm	9.9" 25.15 cm

PERFORMANCE DATA



CONSTRUCTION

Motor Housing	Epoxy-coated cast iron
Impeller Material	Epoxy-coated cast iron
Impeller Type	Non-clog
Volute	Epoxy-coated cast iron
Mechanical Shaft Seal	Nitrile with carbon and ceramic faces
Fasteners	Stainless steel
Shaft	Stainless steel
Bearings	Upper and lower ball bearings
Power Cord	SJTW-A (514220, 514221, and 514520) SOW-A (514530, 514540, and 514550)