

## 9ENH SERIES - 4/10 HP

### APPLICATIONS

Effluent wastewater removal, dewatering, water transfer

### FEATURES

- Permanent Split Capacitor (PSC)
- Designed for continuous duty
- Energy-saving low amp draw
- 1-1/2" FNPT (38 mm) discharge
- Handles solids up to 3/4" (19 mm) diameter
- Multiple switch options for automatic operation
- 140 °F (60 °C) liquid temperature rating
- cCSAus listed



### SERIES SPECIFICATIONS

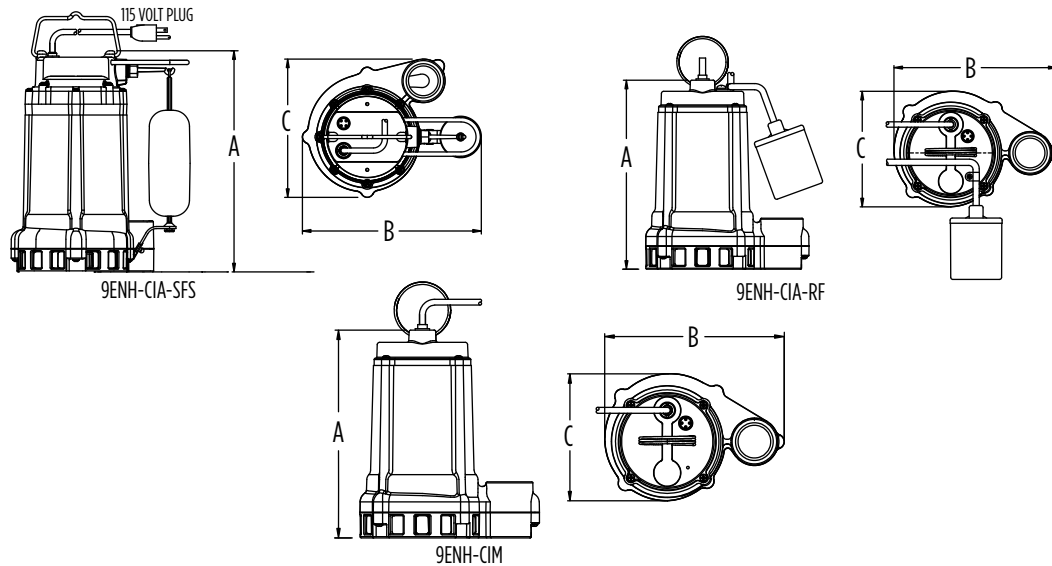
Volts	Hz	Amps		Watts	Performance (GPM @ Height in Feet)					Shut-Off (ft)	PSI
		FLA	Start		5'	10'	20'	30'	40'		
115	60	9	16	1045	70	60	50	30	10	45	19.5
208-230	60	4.5	8.2	1045	70	60	50	30	10	45	19.5

Item No.	Model	HP	Volts	Switch Type/ Operation	On Level	Off Level	Cord	Weight
509239	9ENH-CIA-SFS	4/10	115	Integral Float Switch	9" - 14" 22.86 cm - 35.56 cm	2" - 6" 5 cm - 15.24 cm	20' 6.1 m	38 lbs 17.24 Kg
509240	9ENH-CIA-SFS	4/10	115	Integral Float Switch	9" - 14" 22.86 cm - 35.56 cm	2" - 6" 5 cm - 15.24 cm	30' 9.1 m	39 lbs 17.69
509233	9ENH-CIA-RF	4/10	115	Piggyback Float Switch	9" - 12" 22.86 cm - 30.48 cm	3" - 6" 7.62 cm - 15.24 cm	20' 6.1 m	38 lbs 17.24 Kg
509234	9ENH-CIA-RF	4/10	115	Piggyback Float Switch	9" - 12" 22.86 cm - 30.48 cm	3" - 6" 7.62 cm - 15.24 cm	30' 9.1 m	39 lbs 17.69
509231	9ENH-CIM	4/10	115	Manual	-	-	20' 6.1 m	37 lbs 16.78 Kg
509232	9ENH-CIM	4/10	115	Manual	-	-	30' 9.1 m	38 lbs 17.24 Kg
509237	9ENH-CIA-RF	4/10	208-230	Piggyback Float Switch	9" - 12" 22.86 cm - 30.48 cm	3" - 6" 7.62 cm - 15.24 cm	20' 6.1 m	37 lbs 16.78 Kg
509238	9ENH-CIA-RF	4/10	208-230	Piggyback Float Switch	9" - 12" 22.86 cm - 30.48 cm	3" - 6" 7.62 cm - 15.24 cm	30' 9.1 m	38 lbs 17.24 Kg
509235	9ENH-CIM	4/10	208-230	Manual	-	-	20' 6.1 m	37 lbs 16.78 Kg
509236	9ENH-CIM	4/10	208-230	Manual	-	-	30' 9.1 m	38 lbs 17.24 Kg

# EFFLUENT PUMPS

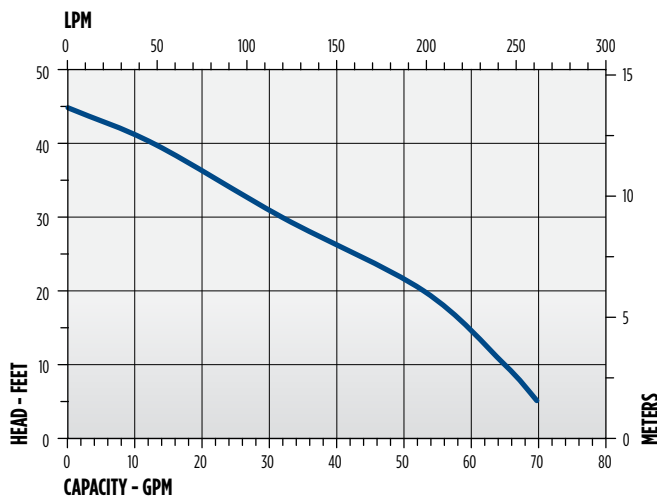
## 9ENH SERIES - 4/10 HP

### ENGINEERING DATA



Model	A	B	C
9ENH-CIA-SFS	12.9" 32.77 cm	10.54" 26.54 cm	8.07" 20.49 cm
9ENH-CIA-RF	11.03" 28.01 cm	9.53" 24.21 cm	6.74" 17.12 cm
9ENH-CIM	11.03" 28.01 cm	9.53" 24.21 cm	6.74" 17.12 cm

### PERFORMANCE DATA



### CONSTRUCTION

<b>Cover</b>	Epoxy-coated cast iron/ *Thermoplastic
<b>Motor Housing</b>	Epoxy-coated cast iron
<b>Impeller Material</b>	Thermoplastic elastomer
<b>Impeller Type</b>	Non-clog
<b>Volute</b>	Epoxy-coated cast iron
<b>Mechanical Shaft Seal</b>	Nitrile with carbon and ceramic faces
<b>Fasteners</b>	Stainless steel
<b>Shaft</b>	Steel
<b>Bearings</b>	Upper and lower ball bearing
<b>Power Cord</b>	SJTW **SJTOW

\* On SFS models

\*\* On 30' 9ENH-CIA-RF and 9ENH-CIM models