

Little GIANT[®]

2E-38N SERIES



Features

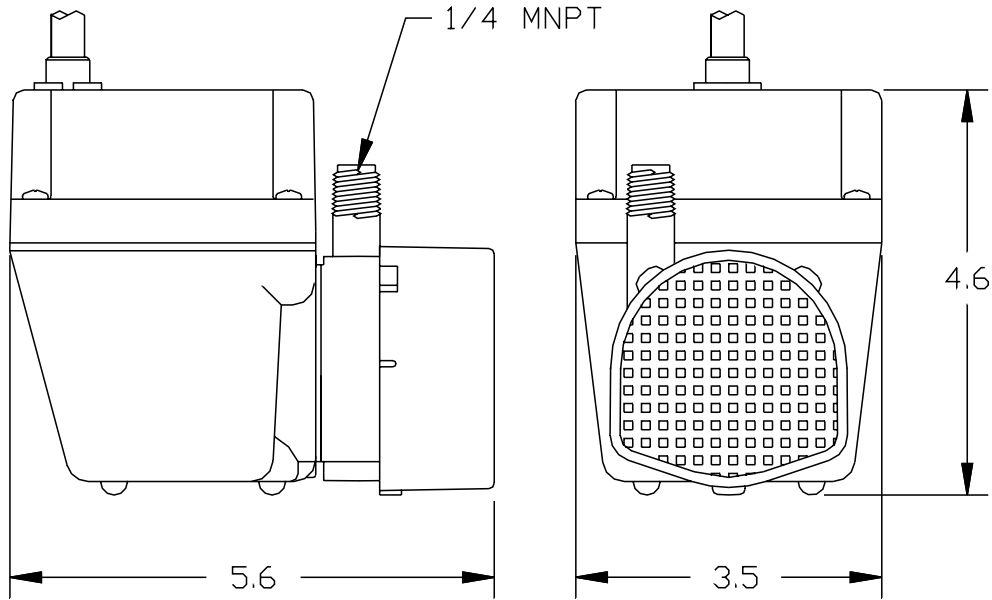
- For submersed or in-line use
- Epoxy coated die-cast aluminum housing
- Oil-filled motor
- 11.8' maximum lift
- 100 watts
- 1/4" MNPT discharge (accepts 1/2" I.D. tubing)
- Thermal overload protection

Construction

- Motor — 1/40 HP oil filled
- Maximum Flow Rate — 300 GPH @ 1'
- Maximum Head — 11.8'
- Intermittent Liquid Temp. up to — 120°F
- Intake — 3/8" FNPT
- Discharge — 1/4" MNPT
- Housing — Epoxy coated cast aluminum
- Cover — Epoxy coated cast aluminum
- Volute — Nylon
- Impeller — Nylon
- Shaft Seal — Triple-lip Nitrile
- Screen — Polypropylene

Dual purpose oil-filled pump that may be used totally submersed or in-line (fed with pipe or hose). For commercial, industrial and home applications including statuary fountains, water displays, air conditioners, machine tool coolants, and many other applications where liquid must be transferred or recirculated. This compact 300 GPH pump features a 1/4" MNPT discharge and 11.8' shut-off head capability.

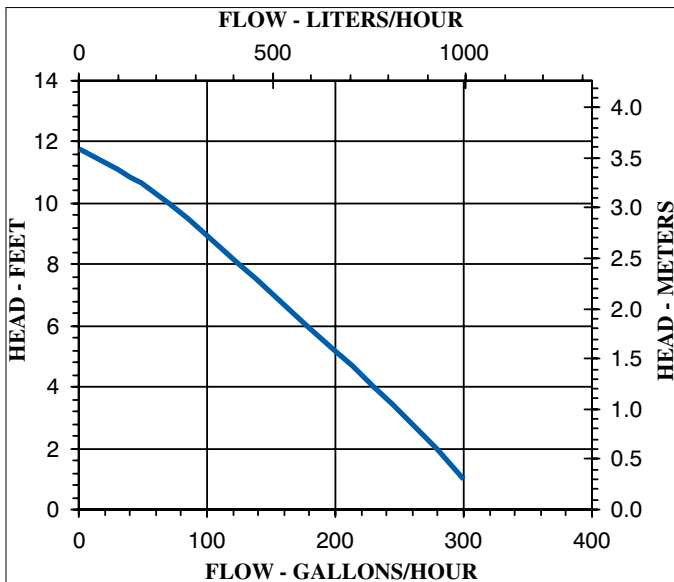
2E-38N SERIES



Specifications

Model No.	Item No.	Discharge Size	Intake Size	Listing(s)	HP	Volts	Hertz	Amps	Watts	Performance (GPH@Head)				Shutoff		Cord Length (ft.)	Weight (lbs.)
										1'	3'	5'	10'	Ft.	P.S.I.		
2E-38N	502203	1/4" MNPT	3/8" FNPT	UL	1/40	115	60	1.7	100	300	255	205	70	11.8	5.1	6	4.83
*2E-38N	502403	1/4" MNPT	3/8" FNPT	UL	1/40	115	60	1.7	100	300	255	205	70	11.8	5.1	6	4.83
2E-38NT	502286	1/4" MNPT	3/8" FNPT	UL/CSA	1/40	115	60	1.7	100	300	255	205	70	11.8	5.1	10	5.00
2E-38N	502500	1/4" MNPT	3/8" FNPT		1/40	127	60	1.7	100	300	255	205	70	11.8	5.1	6	4.83
2E-38NY	502216	1/4" MNPT	3/8" FNPT	UR/C-CSA	1/40	230	50/60	.9/7	100	300	255	205	70	11.8	5.1	12	5.17

*Black



Replacement Parts

Volute	102334 (102375, black)
Impeller	102470
Screen	102909 (102376, black)
Gasket	102601